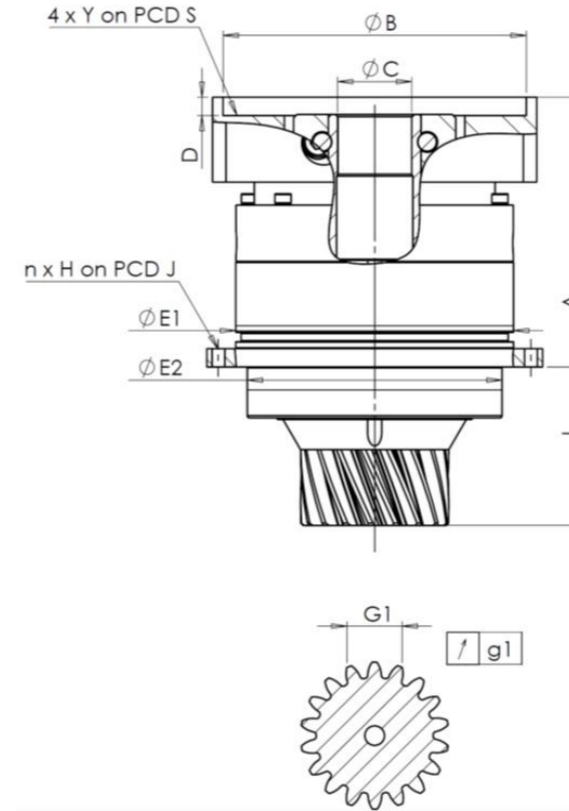


CUSTOMER: UNIOR CUSTOMER ORDER REF: \*B8155-23 UNIOR  
 DISTRIBUTOR: REDEX ORDER REF: 217959  
 DESIGNATION: KRP0+M.5.3.143H.V3.22/32 SERIAL NUMBER: 907883  
 CODE: RX135902-01 MOTOR FLANGE CODE: RX128707-07

EXTERNAL DIMENSIONS & INTERFACES: SN: 907883



General tolerance: Js13 Cmm Automatic / manual coordinate-measuring machine µm Micrometer Cr Calliper rule Di Dial indicator Pg Plug gauge

For the installation, please refer to User Manual KRP (182/008)

SPECIFIC REMARKS:

HOUSING					OUTPUT PINION					MOTOR FLANGE					
requirement		measure			requirement		measure			requirement		measure			
		H1954					L3207								
Ø	E1	120h7 <sup>0</sup> <sub>-0,035</sub>	µm	120	Span dimension over 3 teeth					Ø	B	131	µm	131	
Ø	E2	110h7 <sup>0</sup> <sub>-0,035</sub>	µm	109,99	G1	23,466 <sup>-0,071</sup> <sub>-0,082</sub>	Cmm	23,39	Ø	C	32 <sup>+0,05</sup> <sub>+0,025</sub>	µm	32,025		
n x H on PCD J		8Ø5,5 on PCD 135	Cr	8Ø5,5 on PCD 135	g1	0,021	Di	0,01	Ø	D	8	Cr	8,5		
		A	128,5	µm	128,78	No-load input torque					Ø	S1	165	Cr	165
		L	69	µm	69,45	Line 1		0,2 Nm			Ø	Y1	M10	Pg	M10

Noise level			
	Line	Stiffness	1600 rpm input (dB(A))
Torsional stiffness (Nm/arcmin)	1	40	62,5
Radial stiffness (N/µm)	1	160	

Date: 31/08/2023

Visa: C DE MIRANDA

Version: A

Product images are for illustrative purposes only.