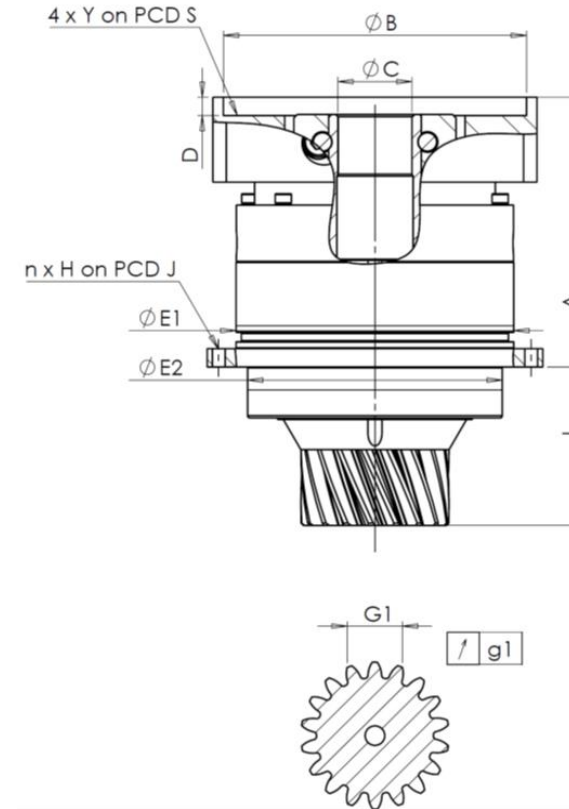


CUSTOMER: UNIOR CUSTOMER ORDER REF: *B8155-23 UNIOR
 DISTRIBUTOR: REDEX ORDER REF: 217959
 DESIGNATION: KRP0+M.5.3.143H.V3.22/32 SERIAL NUMBER: 907882
 CODE: RX135902-01 MOTOR FLANGE CODE: RX128707-07

EXTERNAL DIMENSIONS & INTERFACES: SN: 907882



General tolerance: Js13 Cmm Automatic / manual coordinate-measuring machine µm Micrometer Cr Calliper rule Di Dial indicator Pg Plug gauge

For the installation, please refer to User Manual KRP (182/008)

SPECIFIC REMARKS:

HOUSING				OUTPUT PINION				MOTOR FLANGE						
requirement		measure		requirement		measure		requirement		measure				
		H1957				G1462								
Ø	E1	120h7 ⁰ _{-0,035}	µm	119,995	Span dimension over 3 teeth				Ø	B	131	µm	131	
Ø	E2	110h7 ⁰ _{-0,035}	µm	109,99	G1	23,466 ^{-0,071} _{-0,082}	Cmm	23,388	Ø	C	32 ^{+0,05} _{+0,025}	µm	32,03	
n x H on PCD J		8Ø5,5 on PCD 135	Cr	8Ø5,5 on PCD 135	g1	0,021	Di	0,01	Ø	D	8	Cr	8,52	
		A	128,5	µm	128,76	No-load input torque				Ø	S1	165	Cr	165
		L	69	µm	69,35	Line 1		0,3 Nm		Ø	Y1	M10	Pg	M10

Noise level			
		Line	Stiffness
		1600 rpm input (dB(A))	
		66,0	
Torsional stiffness (Nm/arcmin)	1	40	
Radial stiffness (N/µm)	1	160	

Date: 05/10/2023

Visa: C DE MIRANDA

Version: A

Product images are for illustrative purposes only.