

CUSTOMER: **KIHEUNG MACHINERY LTD.** **CUSTOMER ORDER REF:** **A7297-002-R1 KIHEUNG**

DISTRIBUTOR: **REDEX ORDER REF:** **217562**

DESIGNATION: **KRPX2.M1.31.3.H.28/38** **SERIAL NUMBER:** **907772**

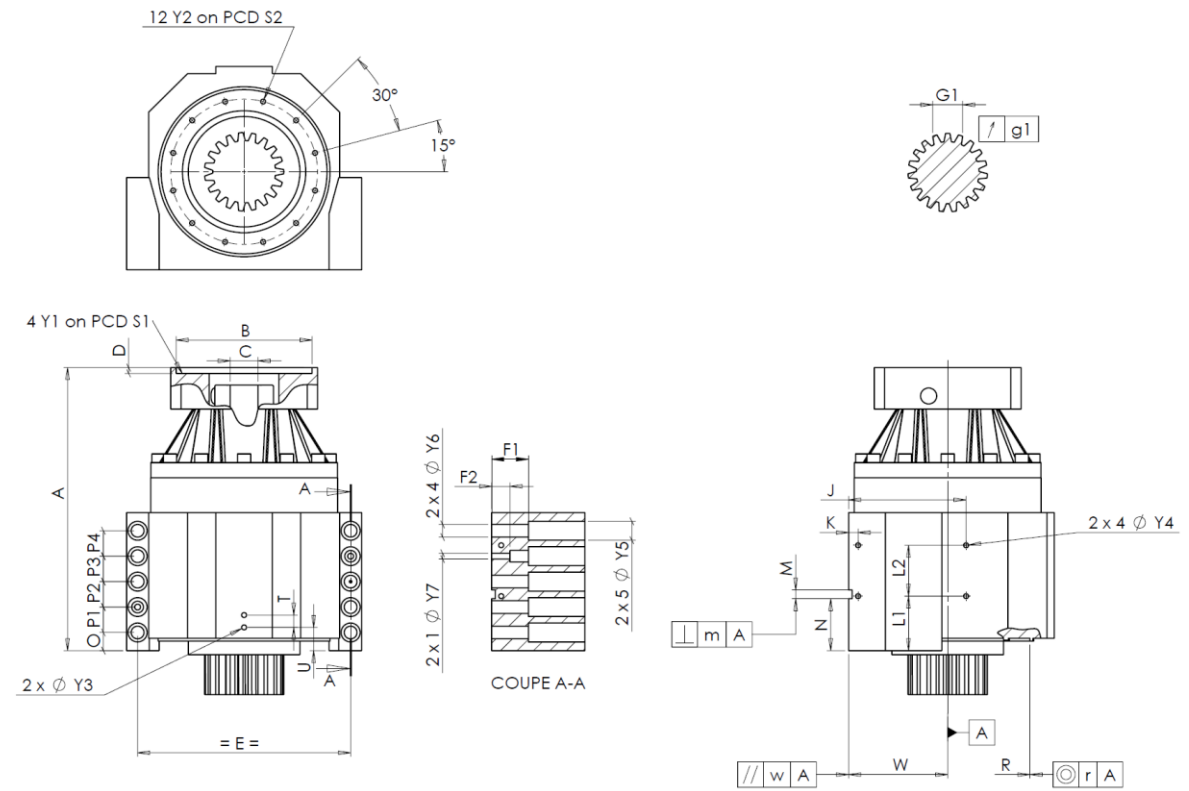
CODE: **RX134762-12** **MOTOR FLANGE CODE:** **RX128581-01**

For the installation, please refer to User Manual KRPX (182/010)

SPECIFIC REMARKS:

Product images are for illustrative purposes only.

EXTERNAL DIMENSIONS & INTERFACES: **SN:** **907772**



General tolerance: Js13 Cmm Automatic / manual coordinate-measuring machine µm Micrometer Cr Calliper rule Di Dial indicator Pg Plug gauge

HOUSING				HOUSING				MOTOR FLANGE							
requirement		measure		requirement		measure		requirement		measure					
E8371				L1	60	Cr	60	Ø	B	181	µm	181			
Ø	Y2	M6x12	Pg	M6x12	L2	60	Cr	60	Ø	C	38	+0,05 +0,025	µm	38,03	
	A	332	µm	332,61	J	130	Cr	130		D	8	Cr	8,55		
	E	240	Cr	240	K	11	Cr	11	Ø	S1	215	Cr	215		
	O	15	Cr	15	F1	40	Cr	40	Ø	Y1	M12	Pg	M12		
	P1	30	Cr	30	F2	24	Cr	24	No-load input torque						
	P2	30	Cr	30	2 x 1Ø	Y7	10	µm	10	Line 1		0,6 Nm			
	P3	30	Cr	30	2 x 4Ø	Y6	15,5	µm	15,5	Line Stiffness					
	P4	30	Cr	30	2 x 5Ø	Y5	24	µm	24	Torsional stiffness (Nm/arcmin)		1	243,75		
	T	14	Cr	14	M H6	10	+0,009 0	Cmm	10,002	Radial stiffness (N/µm)		1	555		
	U	26	Cr	26	⊥	m	0,05	Cmm	0,01						
2 x 1Ø	Y3	M6x12	Pg	M6x12		N	55	+0,1 -0,1	Cmm	54,984					
	R	186	+0,2 +0,1	Cmm	186,147	A	W	110	+0,02 -0,02	Cmm	110,004				
⊙	r	0,1	Cmm	0,015	//	w	0,03	/A	Cmm	0,006					

OUTPUT PINION				Noise level	
F3711				@1600 rpm input (dB(A))	
Span dimension over 4 teeth					
	G1	44,27	0 -0,03	Cmm	44,25
↗	g1	0,022		Di	0,02

Date: **27/07/2023**

Version: **A**

Visa: **P VASLIER**

