

CUSTOMER: **KIHEUNG MACHINERY LTD.** **CUSTOMER ORDER REF:** **A7297-002-R1 KIHEUNG**

DISTRIBUTOR: **REDEX ORDER REF:** **217562**

DESIGNATION: **KRPX2.M1.31.3.H.28/38** **SERIAL NUMBER:** **907771**

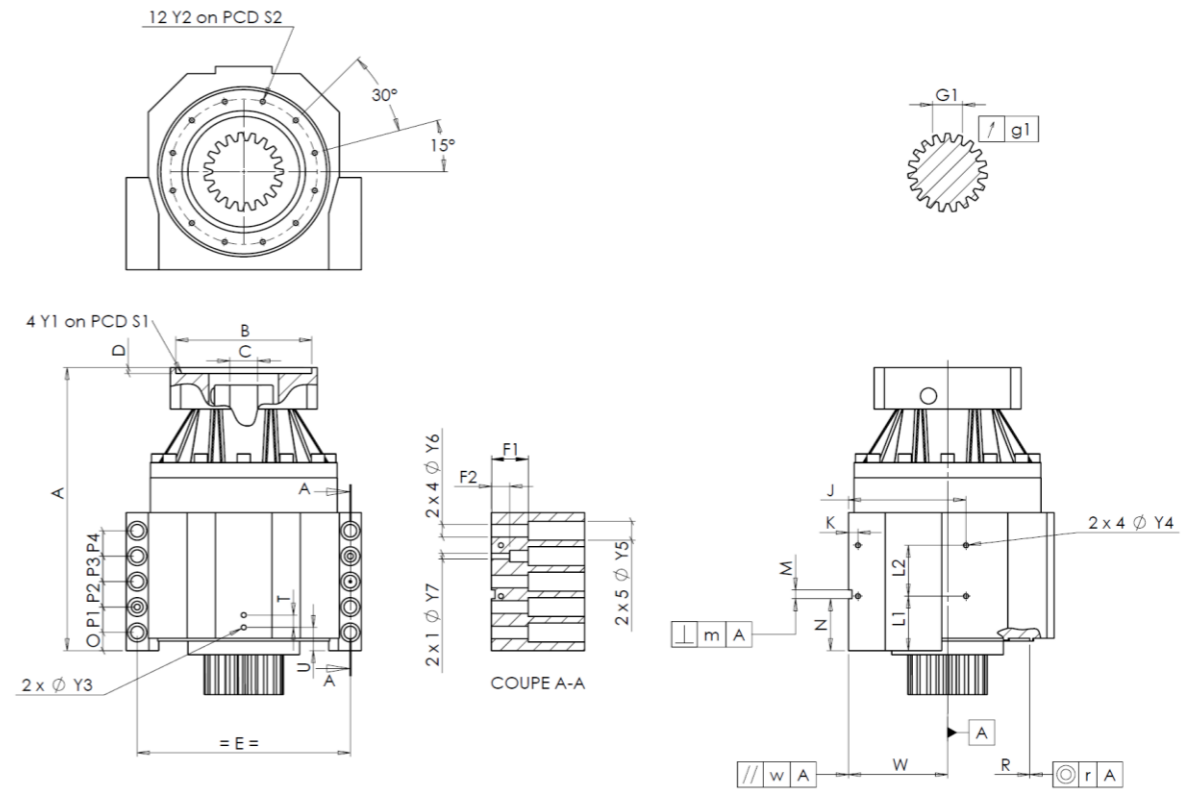
CODE: **RX134762-12** **MOTOR FLANGE CODE:** **RX128581-01**

For the installation, please refer to User Manual KRPX (182/010)

SPECIFIC REMARKS:

Product images are for illustrative purposes only.

EXTERNAL DIMENSIONS & INTERFACES: **SN:** **907771**



General tolerance: Js13 Cmm Automatic / manual coordinate-measuring machine µm Micrometer Cr Calliper rule Di Dial indicator Pg Plug gauge

HOUSING				HOUSING				MOTOR FLANGE						
requirement		measure		requirement		measure		requirement		measure				
		F7202		L1	60	Cr	60	Ø	B	181	µm	181		
Ø	Y2	M6x12	Pg	M6x12	L2	60	Cr	60	Ø	C	38	+0,05 +0,025	µm	38,025
	A	332	µm	332,74	J	130	Cr	130		D	8	Cr	8,56	
	E	240	Cr	240	K	11	Cr	11	Ø	S1	215	Cr	215	
	O	15	Cr	15	F1	40	Cr	40	Ø	Y1	M12	Pg	M12	
	P1	30	Cr	30	F2	24	Cr	24	No-load input torque					
	P2	30	Cr	30	2 x 1Ø	Y7	10	µm					10	Line 1
	P3	30	Cr	30	2 x 4Ø	Y6	15,5	µm	15,5	Line Stiffness				
	P4	30	Cr	30	2 x 5Ø	Y5	24	µm	24					Torsional stiffness (Nm/arcmin)
	T	14	Cr	14		M H6	10	+0,009 0	Cmm	10,005	Radial stiffness (N/µm)		1	609
2 x 1Ø	Y3	M6x12	Pg	M6x12	⊥	m	0,05	Cmm	0,007					
	R	186	+0,2 +0,1	Cmm	186,148	A		N	55	+0,1 -0,1	Cmm	54,954		
⊙	r	0,1	Cmm	0,009	//	w	0,03	/A	Cmm	0,005				

OUTPUT PINION				Noise level	
		F3700		@1600 rpm input (dB(A))	63,0
Span dimension over 4 teeth					
	G1	44,27	0 -0,03	Cmm	44,255
↗	g1	0,022		Di	0,02

Date: 27/07/2023

Version: A

Visa: P VASLIER

