

CUSTOMER: **KIHEUNG MACHINERY LTD.** **CUSTOMER ORDER REF:** **A7297-001-R1 KIHEUNG**

DISTRIBUTOR: **REDEX ORDER REF:** **217561**

DESIGNATION: **KRPX2.M1.31.3.H.28/38** **SERIAL NUMBER:** **907770**

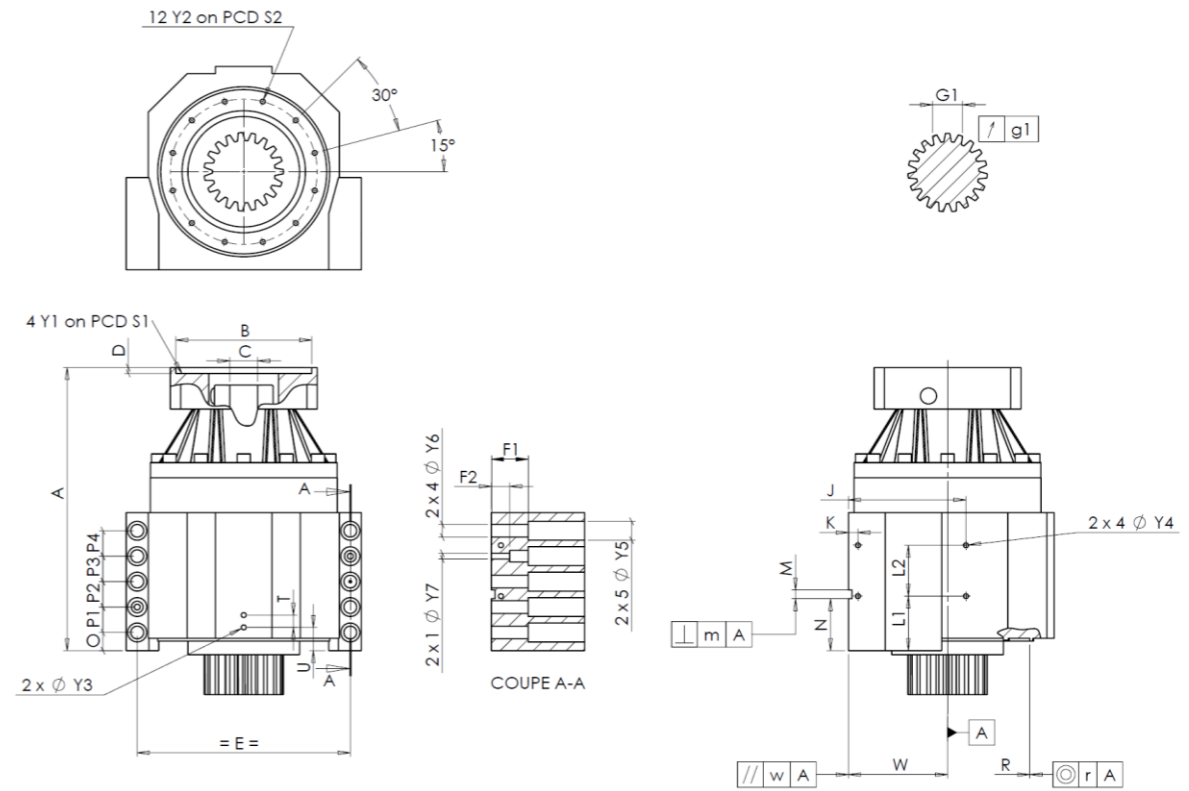
CODE: **RX134762-12** **MOTOR FLANGE CODE:** **RX128581-01**

For the installation, please refer to User Manual KRPX (182/010)

SPECIFIC REMARKS:

Product images are for illustrative purposes only.

EXTERNAL DIMENSIONS & INTERFACES: **SN:** **907770**



General tolerance: Js13 Cmm Automatic / manual coordinate-measuring machine µm Micrometer Cr Calliper rule Di Dial indicator Pg Plug gauge

HOUSING				HOUSING				MOTOR FLANGE							
requirement		measure		requirement		measure		requirement		measure					
			F7198	L1	60	Cr	60								
	Y2	M6x12	Pg	M6x12	L2	60	Cr	60	Ø	B	181	µm	181		
Ø	S2	165	^{+0,1} _{-0,1}	Cr	165	J	130	Cr	130	Ø	C	38	^{+0,05} _{+0,025}	µm	38,035
	A	332		µm	332,75	K	11	Cr	11		D	8	Cr	8,56	
	E	240		Cr	240	2 x 4Ø	Y4	M6x12	Pg	M6x12	Ø	S1	215	Cr	215
	O	15		Cr	15	F1	40	Cr	40	Ø	Y1	M12	Pg	M12	
	P1	30		Cr	30	F2	24	Cr	24	No-load input torque					
	P2	30		Cr	30	2 x 1Ø	Y7	10	µm	10	Line 1		1,6 Nm		
	P3	30		Cr	30	2 x 4Ø	Y6	15,5	µm	15,5	Line Stiffness				
	P4	30		Cr	30	2 x 5Ø	Y5	24	µm	24	Torsional stiffness (Nm/arcmin)		1 243,75		
	T	14		Cr	14	M H6	10	^{+0,009} ₀	Cmm	10,004	Radial stiffness (N/µm)		1 547		
	U	26		Cr	26	⊥	m	0,05	Cmm	0,012					
2 x 1Ø	Y3	M6x12	Pg	M6x12			N	55	^{+0,1} _{-0,1}	Cmm	54,986				
	R	186	^{+0,2} _{+0,1}	Cmm	186,15	A	W	110	^{+0,02} _{-0,02}	Cmm	110,006				
⊙	r	0,1		Cmm	0,012	//	w	0,03	/A	Cmm	0,001				

OUTPUT PINION				Noise level	
			F3706	@1600 rpm input (dB(A))	64,0
Span dimension over 4 teeth					
	G1	44,27	⁰ _{-0,03}	Cmm	44,25
↗	g1	0,022		Di	0,02

Date: 27/07/2023

Version: A

Visa: P VASLIER

