

CUSTOMER: KIHEUNG MACHINERY LTD. **CUSTOMER ORDER REF:** A7297-001-R1 KIHEUNG

DISTRIBUTOR: REDEX ORDER REF: 217561

DESIGNATION: KRPX2.M1.31.3.H.28/38 **SERIAL NUMBER:** 907769

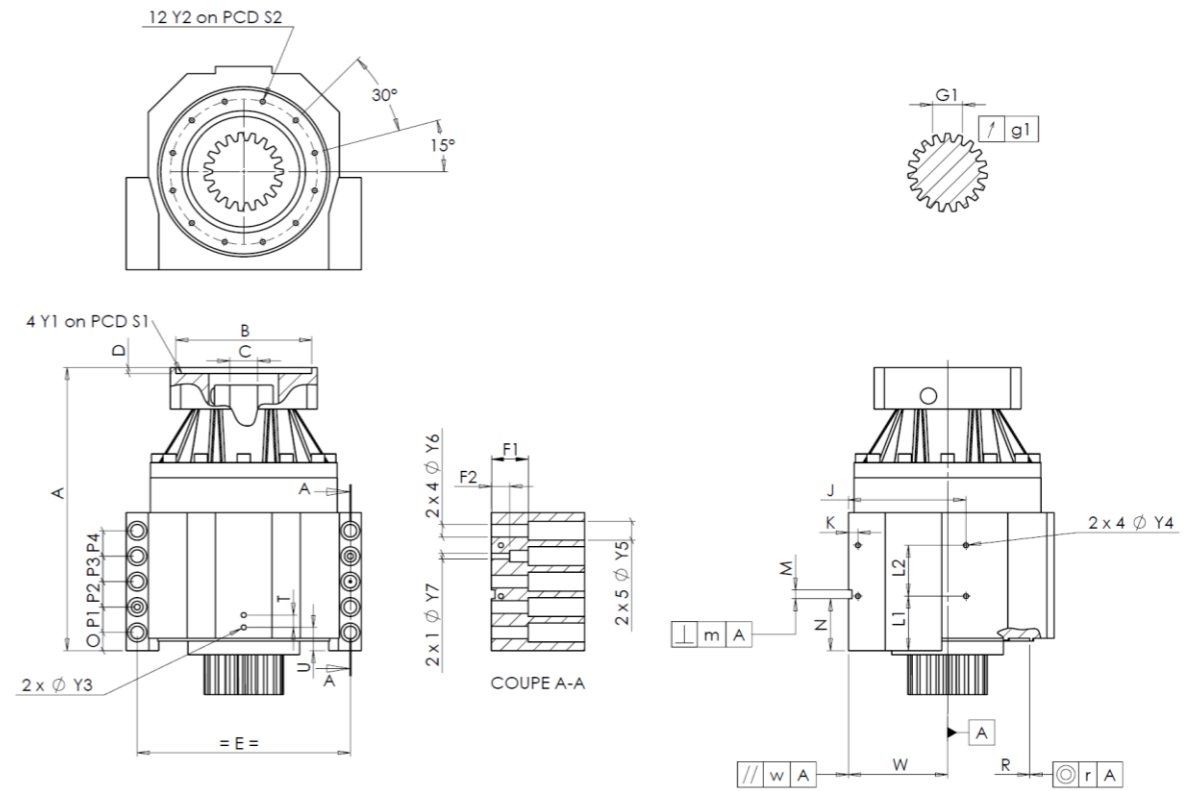
CODE: RX134762-12 **MOTOR FLANGE CODE:** RX128581-01

For the installation, please refer to User Manual KRPX (182/010)

SPECIFIC REMARKS:

Product images are for illustrative purposes only.

EXTERNAL DIMENSIONS & INTERFACES: **SN:** 907769



General tolerance: Js13 Cmm Automatic / manual coordinate-measuring machine μm Micrometer Cr Calliper rule Di Dial indicator Pg Plug gauge

HOUSING				HOUSING				MOTOR FLANGE								
requirement		measure		requirement		measure		requirement		measure						
			F59		L1	60	Cr	60								
	Y2	M6x12	Pg	M6x12		L2	60	Cr	60	∅	B	181	μm	181		
∅	S2	165	^{+0,1} _{-0,1}	Cr	165		J	130	Cr	130	∅	C	38	^{+0,05} _{+0,025}	μm	38,03
	A	332	μm	332,73		K	11	Cr	11		D	8	Cr	8,54		
	E	240	Cr	240	2 x 4∅	Y4	M6x12	Pg	M6x12	∅	S1	215	Cr	215		
	O	15	Cr	15		F1	40	Cr	40	∅	Y1	M12	Pg	M12		
	P1	30	Cr	30		F2	24	Cr	24	No-load input torque						
	P2	30	Cr	30	2 x 1∅	Y7	10	μm	10	Line 1		1,6 Nm				
	P3	30	Cr	30	2 x 4∅	Y6	15,5	μm	15,5	Line Stiffness						
	P4	30	Cr	30	2 x 5∅	Y5	24	μm	24	Torsional stiffness (Nm/arcmin)		1	243,75			
	T	14	Cr	14		M H6	10	^{+0,009} ₀	Cmm	10,007	Radial stiffness (N/μm)		1	552		
	U	26	Cr	26	⊥	m	0,05	Cmm	0,013							
2 x 1∅	Y3	M6x12	Pg	M6x12		N	55	^{+0,1} _{-0,1}	Cmm	54,971						
	R	186	^{+0,2} _{+0,1}	Cmm	186,15	A	W	110	^{+0,02} _{-0,02}	Cmm	110,007					
⊙	r	0,1	Cmm	0,01	//	w	0,03	/A	Cmm	0,004						

OUTPUT PINION				Noise level	
			F3708	@1600 rpm input (dB(A))	65,0
Span dimension over 4 teeth					
	G1	44,27	⁰ _{-0,03}	Cmm	44,255
↗	g1	0,022		Di	0,02

Date: 27/07/2023

Version: A

Visa: P VASLIER

