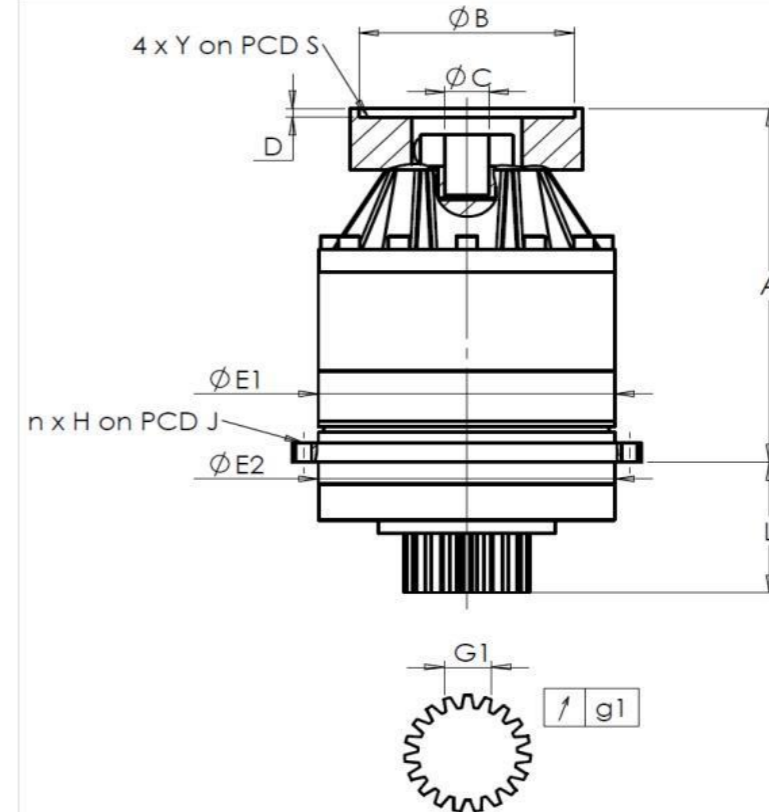


CUSTOMER: **ELECTROIMPACT** CUSTOMER ORDER REF: ***33258-00 ELECTROIMPACT**
 DISTRIBUTOR: **ANDANTEX INCORPORATED** REDEX ORDER REF: **217729**
 DESIGNATION: **KRP4+M.21.3.H.35/48** SERIAL NUMBER: **907756**
 CODE: **RX128414-11** MOTOR FLANGE CODE: **RX129618-04**

EXTERNAL DIMENSIONS & INTERFACES: SN: **907756**



General tolerance: Js13 Cmm Automatic / manual coordinate-measuring machine µm Micrometer Cr Calliper rule Di Dial indicator Pg Plug gauge

For the installation, please refer to User Manual KRP (182/008)

SPECIFIC REMARKS:

HOUSING				OUTPUT PINION				MOTOR FLANGE			
requirement		measure		requirement		measure		requirement		measure	
		F5599				F523					
E1	285h7 ⁰ _{-0,052} µm	284,99		Span dimension over 3 teeth				Ø B	251 µm	251	
E2	285h7 ⁰ _{-0,052} µm	284,99		G1	46,9 ⁰ _{-0,03} Cmm	46,885		Ø C	48F7 ^{+0,05} _{+0,025} µm	48,03	
n x H on PCD J	16 Ø14 on PCD 310	Cr 16 Ø14 on PCD 310		g1	0,022	Di 0,015		D	8	Cr 8,51	
A	411,5 µm	412,25		No-load input torque				Ø S1	300	Cr 300	
L	141 µm	140,95		Line 1		1,5 Nm		Ø Y1	M16	Pg M16	

Noise level			
	Line	Stiffness	@1300 rpm input (dB(A))
Torsional stiffness (Nm/arcmin)	1	574,81	63,5
Radial stiffness (N/µm)	1	1245	

Date: **30/06/2023**

Visa: **P VASLIER**

Version: **A**

Product images are for illustrative purposes only.