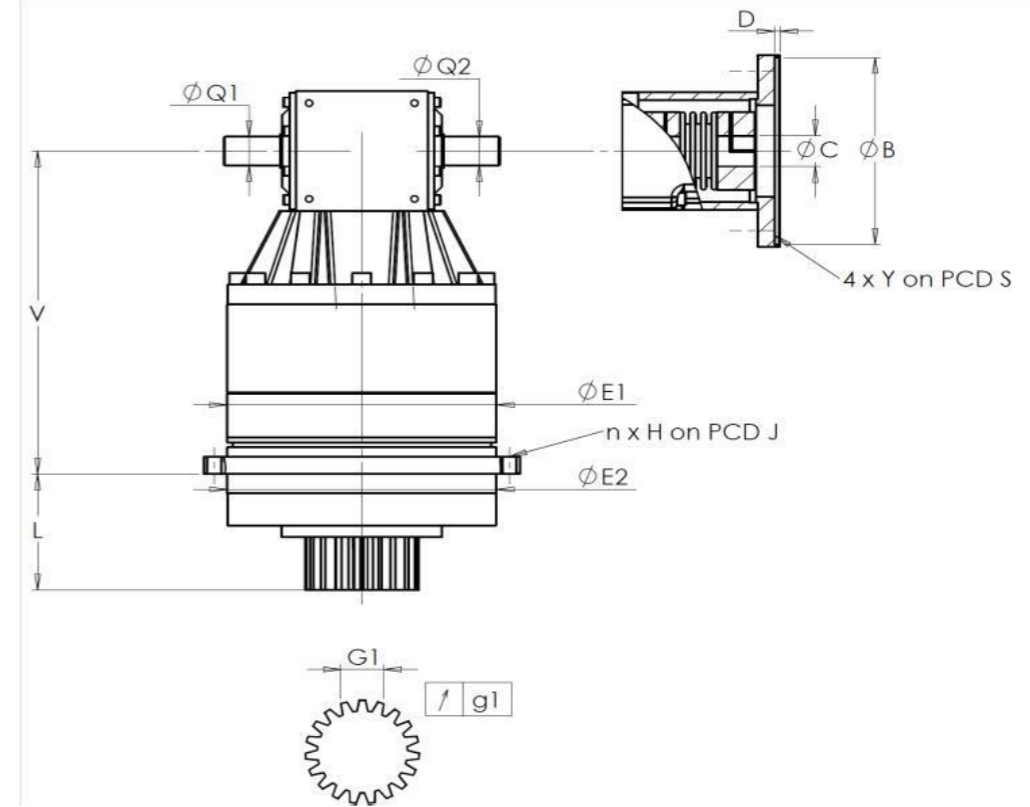


CUSTOMER: METALIMPEX CUSTOMER ORDER REF: *OFFER 27284 METALIMPEX
 DISTRIBUTOR: REDEX ORDER REF: 217723
 DESIGNATION: KRP4+R.91.4.H SERIAL NUMBER: 907751
 CODE: RX129176-33 MOTOR FLANGE CODE:

EXTERNAL DIMENSIONS & INTERFACES: SN: 907751



For the installation, please refer to User Manual KRP (182/008)

SPECIFIC REMARKS:

General tolerance: Js13 Cmm Automatic / manual coordinate-measuring machine µm Micrometer Cr Calliper rule Di Dial indicator Pg Plug gauge

HOUSING				OUTPUT PINION				MOTOR FLANGE			
requirement		measure		requirement		measure		requirement		measure	
		G3314				F5571				-	
E1	285h7 ⁰ _{-0,052} µm		284,99	Span dimension over 3 teeth				Ø	B		µm
E2	285h7 ⁰ _{-0,052} µm		284,99	G1	46,9 ⁰ _{-0,03} Cmm		46,89	Ø	C		µm
n x H on PCD J	16 Ø14 on PCD 310	Cr	16 Ø14 on PCD 310	g1	0,022	Di	0,01		D		Cr
V	414,3	µm	414,17	No-load input torque				Ø	S1		Cr
L	141	µm	140,89	Line 1		1,8 Nm		Ø	Y1		Pg
Ø Q1	35 ^{+0,011} _{-0,005} µm		35,001	Noise level						@1300 rpm input (dB(A))	62,0
Ø Q2	35 ^{+0,011} _{-0,005} µm		35,002			Line	Stiffness				
				Torsional stiffness (Nm/arcmin)		1	574,81				
				Radial stiffness (N/µm)		1	1353				

Date: 07/08/2023

Visa: P VASLIER

Version: A

Product images are for illustrative purposes only.