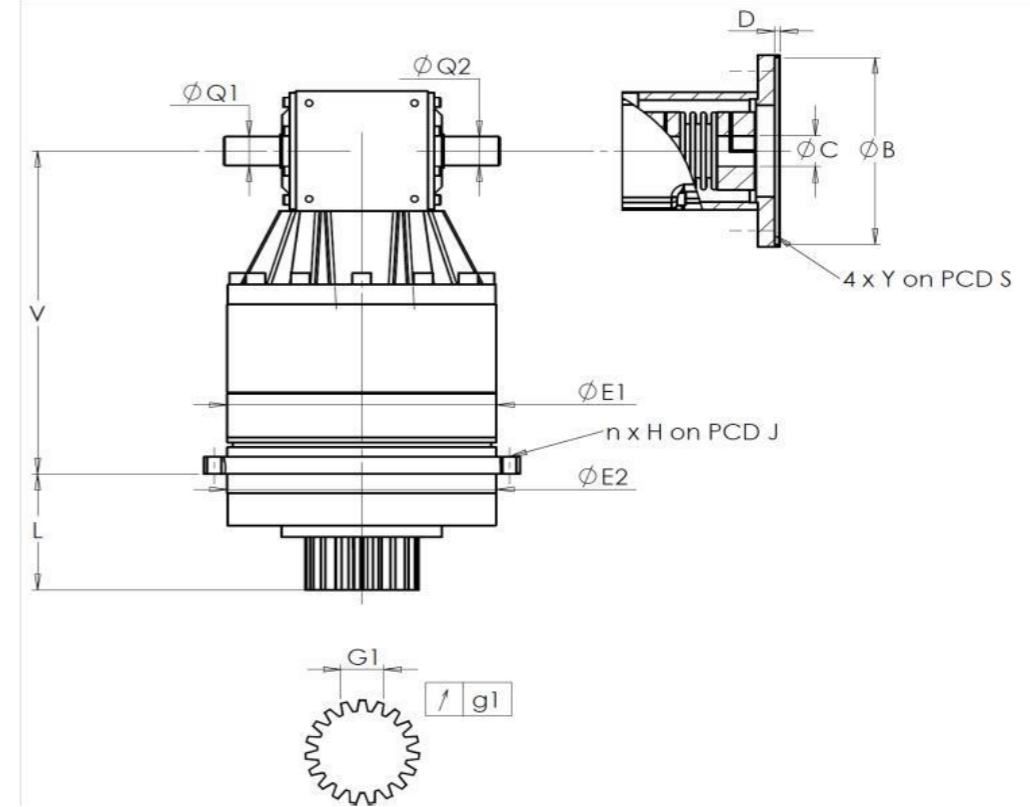


CUSTOMER: **ELECTROIMPACT** CUSTOMER ORDER REF: ***33258-00 ELECTROIMPACT**
 DISTRIBUTOR: **ANDANTEX INCORPORATED** REDEX ORDER REF: **217729**
 DESIGNATION: **KRP1+R.61.4.H** SERIAL NUMBER: **907706**
 CODE: **RX129591-32** MOTOR FLANGE CODE:

EXTERNAL DIMENSIONS & INTERFACES: SN: **907706**



For the installation, please refer to User Manual KRP (182/008)

SPECIFIC REMARKS:

General tolerance: Js13 Cmm Automatic / manual coordinate-measuring machine μm Micrometer Cr Calliper rule Di Dial indicator Pg Plug gauge

HOUSING				OUTPUT PINION				MOTOR FLANGE					
requirement		measure		requirement		measure		requirement		measure			
		G1942				F562				-			
E1	152h7 ⁰ _{-0,04} μm		151,99	Span dimension over 3 teeth				∅	B		μm		
E2	140h7 ⁰ _{-0,04} μm		139,995	G1	23,28 ⁰ _{-0,03} Cmm		23,265	∅	C		μm		
n x H on PCD J	12 ∅6,5 on PCD 168	Cr	12 ∅6,5 on PCD 168	g1	0,021	Di	0,015		D		Cr		
V	228,5	μm	228,29	No-load input torque				∅	S1		Cr		
L	71	μm	70,78	Line 1				0,2 Nm		∅	Y1	Pg	
∅ Q1	20 ^{+0,009} _{-0,004} μm		20,004					Noise level					
∅ Q2	20 ^{+0,009} _{-0,004} μm		20,006					Line		Stiffness		@1600 rpm input (dB(A))	66,5
				Torsional stiffness (Nm/arcmin)		1	81,39						
				Radial stiffness (N/μm)		1	362						

Date: **30/06/2023**

Visa: **P VASLIER**

Version: **A**

Product images are for illustrative purposes only.