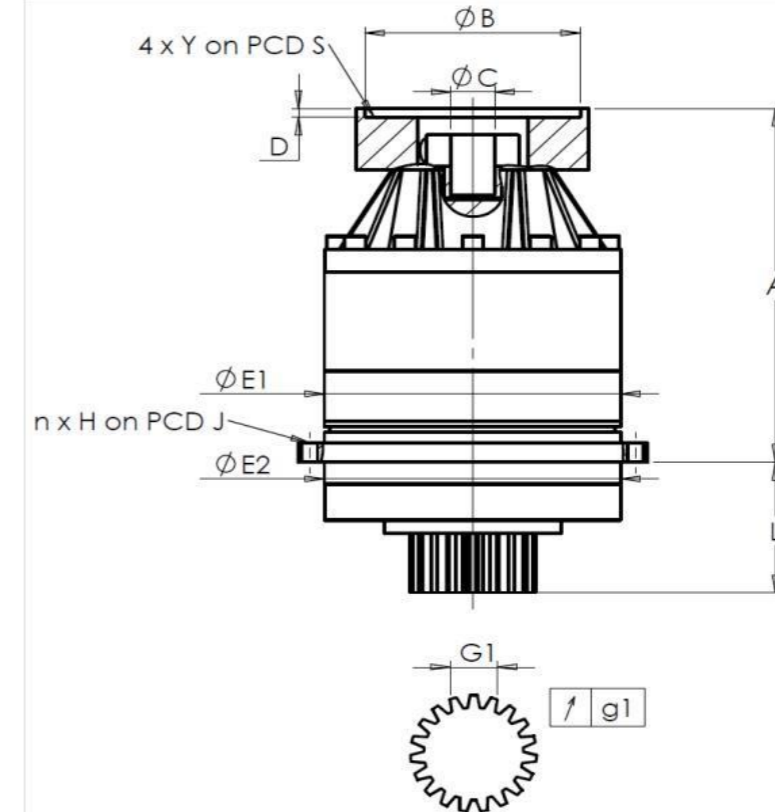


CUSTOMER: **ELECTROIMPACT** CUSTOMER ORDER REF: ***33258-00 ELECTROIMPACT**
 DISTRIBUTOR: **ANDANTEX INCORPORATED** REDEX ORDER REF: **217729**
 DESIGNATION: **KRP2.M1.21.3.H.28/38** SERIAL NUMBER: **907705**
 CODE: **RX133901-11** MOTOR FLANGE CODE: **RX129461-01**

EXTERNAL DIMENSIONS & INTERFACES: SN: **907705**



General tolerance: Js13 *Cmm* Automatic / manual coordinate-measuring machine μm Micrometer *Cr* Calliper rule *Di* Dial indicator *Pg* Plug gauge

For the installation, please refer to User Manual KRP (182/008)

SPECIFIC REMARKS:

HOUSING				OUTPUT PINION				MOTOR FLANGE			
requirement		measure		requirement		measure		requirement		measure	
		G1658				F2801					
E1	212h7 ⁰ _{-0,046} μm	211,98	Span dimension over 4 teeth				Ø B	131 μm	131		
E2	200h7 ⁰ _{-0,046} μm	199,975	G1	44,27 ⁰ _{-0,03} <i>Cmm</i>	44,245	Ø C	32 ^{+0,05} _{+0,025} μm	32,03			
n x H on PCD J	12 Ø9 on PCD 233	<i>Cr</i> 12 Ø9 on PCD 233	g1	0,022	<i>Di</i> 0,01	Ø D	5 <i>Cr</i>	5,49	Ø S1	165 <i>Cr</i>	165
A	273 μm	273,78	No-load input torque				Ø Y1	M10 <i>Pg</i>	M10		
L	94 μm	93,86	Line 1		0,7 Nm						

		Line	Stiffness	Noise level	
				@1600 rpm input (dB(A))	65,0
Torsional stiffness (Nm/arcmin)	1	243,75			
Radial stiffness (N/ μm)	1	592			

Date: **26/06/2023**

Visa: **C DE MIRANDA**

Version: **A**

Product images are for illustrative purposes only.