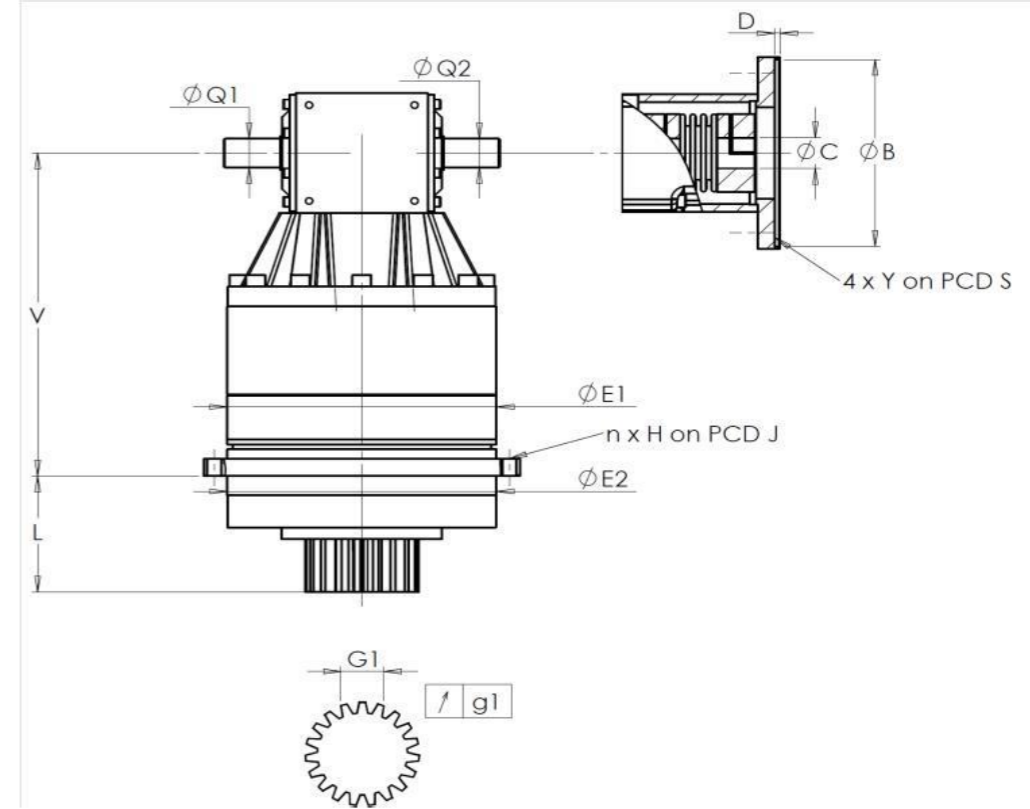


CUSTOMER: **GUEDEL LINEARTEC** CUSTOMER ORDER REF: ***RX112301T GUDTW**
 DISTRIBUTOR: **GUEDEL LINEARTEC** REDEX ORDER REF: **217680**
 DESIGNATION: **KRP2.R1.21.4.H** SERIAL NUMBER: **907670**
 CODE: **RX133930-11** MOTOR FLANGE CODE:

EXTERNAL DIMENSIONS & INTERFACES: SN: **907670**



For the installation, please refer to User Manual KRP (182/008)

SPECIFIC REMARKS:

General tolerance: Js13 *Cmm* Automatic / manual coordinate-measuring machine μm Micrometer *Cr* Calliper rule *Di* Dial indicator *Pg* Plug gauge

HOUSING				OUTPUT PINION				MOTOR FLANGE			
requirement		measure		requirement		measure		requirement		measure	
		G1713				F2794				-	
E1	212h7 ⁰ _{-0,046} μm		211,99	Span dimension over 4 teeth				Ø	B		μm
E2	200h7 ⁰ _{-0,046} μm		199,99	G1	44,27 ⁰ _{-0,03} <i>Cmm</i>		44,25	Ø	C		μm
n x H on PCD J	12 Ø9 on PCD 233	<i>Cr</i>	12 Ø9 on PCD 233	g1	0,022	<i>Di</i>	0,01	Ø	D		<i>Cr</i>
V	289	μm	289,31	No-load input torque				Ø	S1		<i>Cr</i>
L	94	μm	93,98	Line 1		0,9 Nm		Ø	Y1		<i>Pg</i>
Ø Q1	25 ^{+0,009} _{-0,004} μm		24,999	Noise level						@1600 rpm input (dB(A))	65,0
Ø Q2	25 ^{+0,009} _{-0,004} μm		25,004			Line	Stiffness				
				Torsional stiffness (Nm/arcmin)		1	243,75				
				Radial stiffness (N/ μm)		1	606				

Date: **29/06/2023**

Visa: **P VASLIER**

Version: **A**

Product images are for illustrative purposes only.