

CUSTOMER: REDEX SHANGHAI **CUSTOMER ORDER REF:** *rxcn2023020904

DISTRIBUTOR: REDEX SHANGHAI REPAIRING **REDEX ORDER REF:** 217623

DESIGNATION: KRPX4+R.31.4.H **SERIAL NUMBER:** 907647

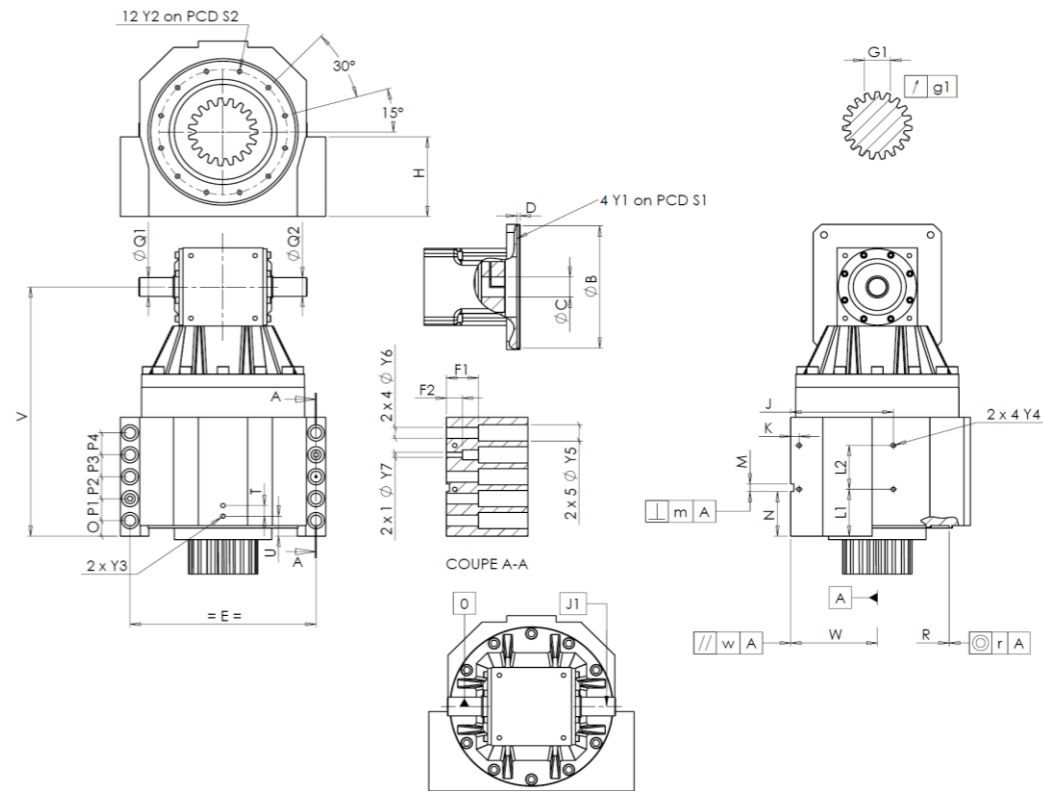
CODE: RX131196-12 **MOTOR FLANGE CODE:** RX129551-02

For the installation, please refer to User Manual KRPX (182/010)

SPECIFIC REMARKS:

Product images are for illustrative purposes only.

EXTERNAL DIMENSIONS & INTERFACES: **SN:** 907647



General tolerance: Js13 *Cmm* Automatic / manual coordinate-measuring machine μm Micrometer *Cr* Calliper rule *Di* Dial indicator *Pg* Plug gauge

HOUSING				HOUSING				MOTOR FLANGE					
requirement		measure		requirement		measure		requirement		measure			
		F7047		L1	81	<i>Cr</i>	81			F6221			
Y2	M8x16	<i>Pg</i>	M8x16	L2	79	<i>Cr</i>	79	Ø	B	130	^{+0,054} _{+0,014} μm	130,015	
Ø	S2	234	^{+0,1} _{-0,1} <i>Cr</i>	234	J	185	<i>Cr</i>	185	Ø	C	32	^{+0,05} _{+0,025} μm	32,04
V	477	μm	477,21	K	15	<i>Cr</i>	15	D	18	<i>Cr</i>	18		
E	320	<i>Cr</i>	320	2 x 4Ø	Y4	M10x13	<i>Pg</i>	M10x13	Ø	S1	165	<i>Cr</i>	165
O	20	<i>Cr</i>	20	F1	60	<i>Cr</i>	60	Ø	Y1	M10	<i>Pg</i>	M10	
P1	40	<i>Cr</i>	40	F2	30	<i>Cr</i>	30	No-load input torque					
P2	40	<i>Cr</i>	40	2 x 1Ø	Y7	14	μm	14	Line 1		2,4 Nm		
P3	40	<i>Cr</i>	40	2 x 4Ø	Y6	22	μm	22	Line Stiffness				
P4	40	<i>Cr</i>	40	2 x 5Ø	Y5	33	μm	33	Torsional stiffness (Nm/arcmin)		1	574,81	
T	20	<i>Cr</i>	20	M H6	15	^{+0,011} ₀ <i>Cmm</i>	15,005	Radial stiffness (N/ μm)		1	1231		
U	37	<i>Cr</i>	37	⊥	m	0,05	<i>Cmm</i>	0,008					
2 x 1Ø	Y3	M10x13	<i>Pg</i>	M10x13	N	72,5	^{+0,1} _{-0,1} <i>Cmm</i>	72,52					
Ø	R	255	^{+0,2} _{+0,1} <i>Cmm</i>	255,153	A	W	158	^{+0,035} _{-0,035} <i>Cmm</i>	158,009				
⊙	r	0,1	<i>Cmm</i>	0,031	//	w	0,03	/ <i>A</i> <i>Cmm</i>	0,003				
Ø	Q1	35	^{+0,011} _{-0,005} μm	35,002	OUTPUT PINION				Noise level				
Ø	Q2	35	^{+0,011} _{-0,005} μm	35,002	H762				@ 1300 rpm input (dB(A))				
J1	/0	<i>Di</i>	0,01	Span dimension over 3 teeth				69,0					
		G1	46,9	⁰ _{-0,03} <i>Cmm</i>	46,882								
		g1	0,022	<i>Di</i>	0,01								

Date: 20/06/2023

Visa: C DE MIRANDA

Version: A