

CUSTOMER: REDEX SHANGHAI CUSTOMER ORDER REF: \*rxcn2023020904  
 DISTRIBUTOR: REDEX SHANGHAI REPAIRING REDEX ORDER REF: 217623  
 DESIGNATION: KRPX4+R.31.4.H SERIAL NUMBER: 907646  
 CODE: RX131196-12 MOTOR FLANGE CODE: RX129551-02

For the installation, please refer to User Manual KRPX (182/010)

SPECIFIC REMARKS:

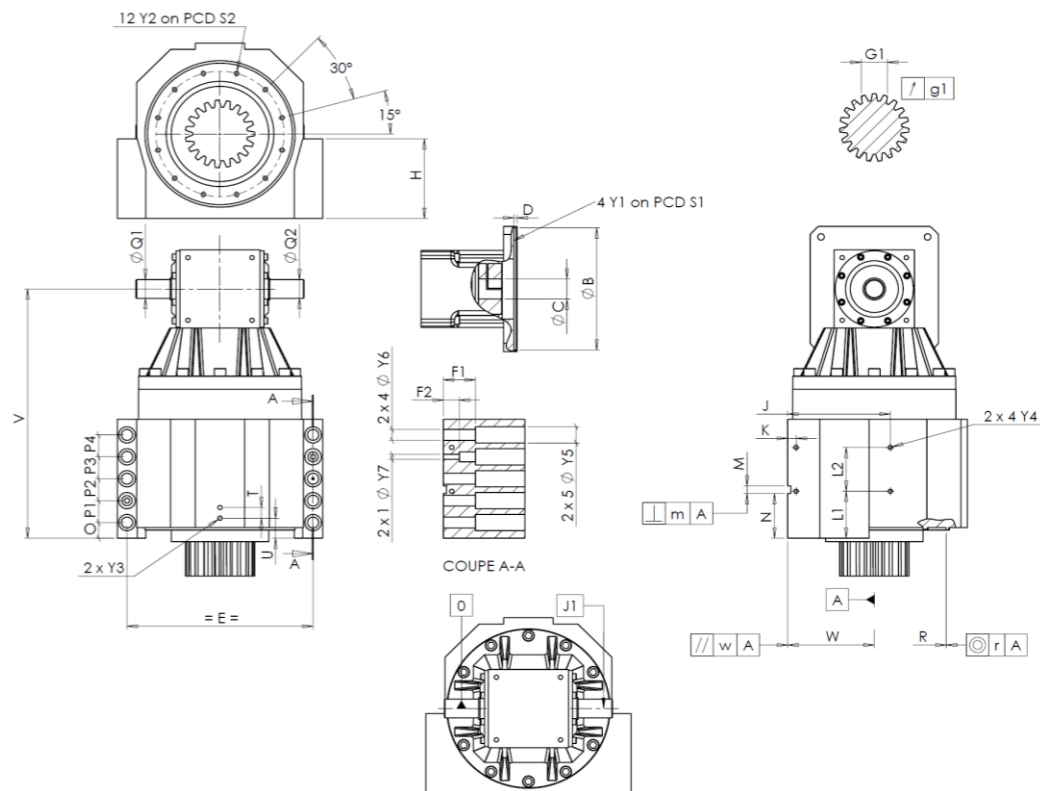
Product images are for illustrative purposes only.



1, Rue Paul De Fontenay  
F- 45210 FERRIERES  
www.redex-group.com

Tel: +33 2 38 94 42 00  
Fax: +33 2 38 94 42 99  
Email: info@redex-group.com

EXTERNAL DIMENSIONS & INTERFACES: SN: 907646



General tolerance: Js13 Cmm Automatic / manual coordinate-measuring machine μm Micrometer Cr Calliper rule Di Dial indicator Pg Plug gauge

HOUSING				HOUSING				MOTOR FLANGE								
requirement		measure		requirement		measure		requirement		measure						
		F7049		L1	81	Cr	81			F6220						
Y2	M8x16	Pg	M8x16	L2	79	Cr	79	∅	B	130 <sup>+0,054</sup> <sub>+0,014</sub>	μm 130,015					
∅	S2	234 <sup>+0,1</sup> <sub>-0,1</sub>	Cr	234	J	185	Cr	185	∅	C	32 <sup>+0,05</sup> <sub>+0,025</sub>	μm 32,03				
V	477	μm	477,36	K	15	Cr	15	D	18	Cr	18					
E	320	Cr	320	2 x 4∅	Y4	M10x13	Pg	M10x13	∅	S1	165	Cr	165			
O	20	Cr	20	F1	60	Cr	60	∅	Y1	M10	Pg	M10				
P1	40	Cr	40	F2	30	Cr	30	No-load input torque								
P2	40	Cr	40	2 x 1∅	Y7	14	μm					14	Line 1		2 Nm	
P3	40	Cr	40	2 x 4∅	Y6	22	μm	22	Line			Stiffness				
P4	40	Cr	40	2 x 5∅	Y5	33	μm	33				Torsional stiffness (Nm/arcmin)		1	574,81	
T	20	Cr	20	M H6	15 <sup>+0,011</sup> <sub>0</sub>	Cmm	15,005	Radial stiffness (N/μm)		1	1108					
U	37	Cr	37	⊥	m	0,05	Cmm	0,008	OUTPUT PINION			Noise level				
2 x 1∅	Y3	M10x13	Pg	M10x13	N	72,5 <sup>+0,1</sup> <sub>-0,1</sub>	Cmm	72,522						H771		@1300 rpm input (dB(A))
∅	R	255 <sup>+0,2</sup> <sub>+0,1</sub>	Cmm	255,156	A	W	158 <sup>+0,035</sup> <sub>-0,035</sub>	Cmm	158,014	Span dimension over 3 teeth						
∅	Q1	35 <sup>+0,011</sup> <sub>-0,005</sub>	μm	35,002	//	w	0,03	/A	Cmm					0,007	G1	46,9 <sup>0</sup> <sub>-0,03</sub>
∅	Q2	35 <sup>+0,011</sup> <sub>-0,005</sub>	μm	35,002	Version: A				Date: 20/06/2023				Visa: C DE MIRANDA			
∅	J1	/0	Di	0,01												

Date: 20/06/2023

Visa: C DE MIRANDA

Version: A



1, Rue Paul De Fontenay  
F- 45210 FERRIERES  
www.redex-group.com

Tel: +33 2 38 94 42 00  
Fax: +33 2 38 94 42 99  
Email: info@redex-group.com