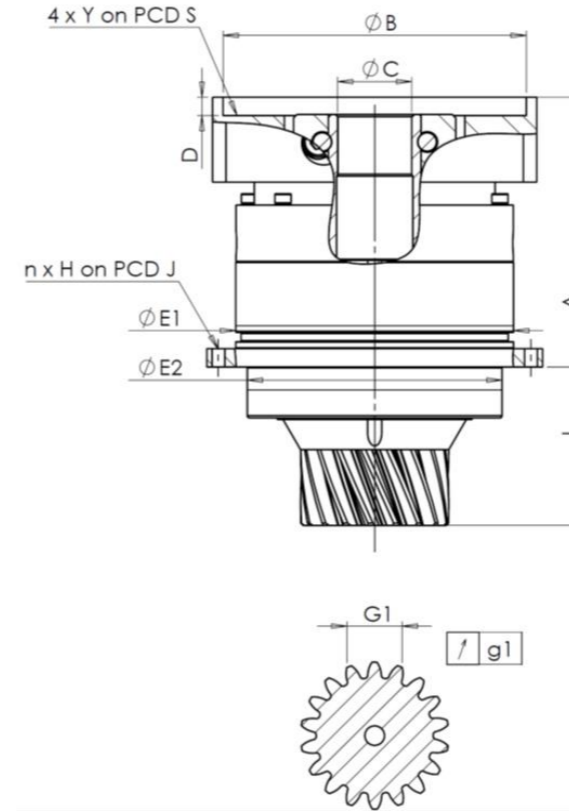


CUSTOMER: UNIOR CUSTOMER ORDER REF: \*B8057-23 UNIOR  
 DISTRIBUTOR: REDEX ORDER REF: 217668  
 DESIGNATION: KRP0+M.5.3.183H.B5.22/32 SERIAL NUMBER: 907641  
 CODE: RX135814-01 MOTOR FLANGE CODE: RX128707-07

EXTERNAL DIMENSIONS & INTERFACES: SN: 907641



For the installation, please refer to User Manual KRP (182/008)

SPECIFIC REMARKS:

General tolerance: Js13 Cmm Automatic / manual coordinate-measuring machine µm Micrometer Cr Calliper rule Di Dial indicator Pg Plug gauge

HOUSING					OUTPUT PINION					MOTOR FLANGE				
requirement		measure			requirement		measure			requirement		measure		
H944					L1014									
Ø	E1	120h7 <sup>0</sup> <sub>-0,035</sub>	µm	119,99	Span dimension over 3 teeth					Ø	B	131	µm	131
Ø	E2	110h7 <sup>0</sup> <sub>-0,035</sub>	µm	109,985	G1	23,278 <sup>0</sup> <sub>-0,023</sub>	Cmm	23,265	Ø	C	32 <sup>+0,05</sup> <sub>+0,025</sub>	µm	32,03	
n x H on PCD J		8Ø5,5 on PCD 135	Cr	8Ø5,5 on PCD 135	g1	0,021	Di	0,01	Ø	D	8	Cr	8,53	
					No-load input torque					Ø	S1	165	Cr	165
A	128,5	µm	128,8	Line 1					0,2 Nm	Ø	Y1	M10	Pg	M10
L	69	µm	69,33											

Noise level			
		Line	Stiffness
		1600 rpm input (dB(A))	
		68,5	
Torsional stiffness (Nm/arcmin)	1	40	
Radial stiffness (N/µm)	1	160	

Date: 11/05/2023

Visa: C DE MIRANDA

Version: A

Product images are for illustrative purposes only.