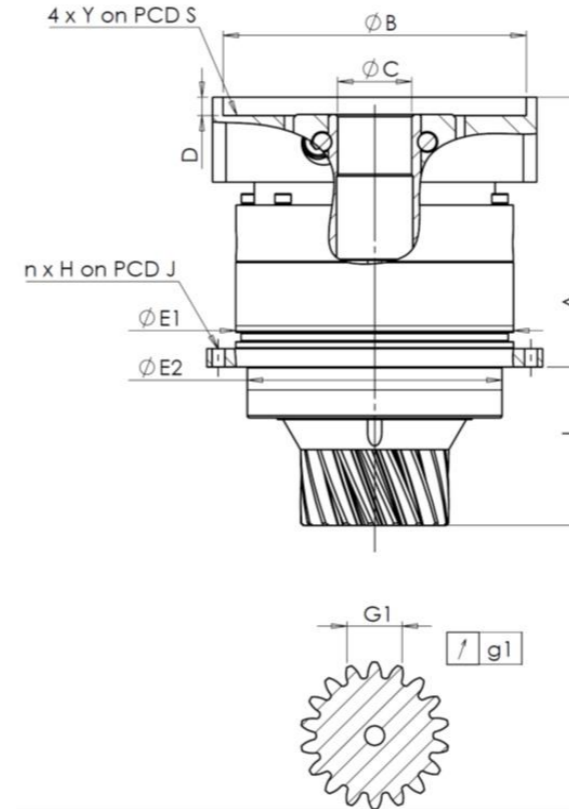


CUSTOMER: UNIOR CUSTOMER ORDER REF: *B8057-23 UNIOR
 DISTRIBUTOR: REDEX ORDER REF: 217668
 DESIGNATION: KRP0+M.5.3.183H.B5.22/32 SERIAL NUMBER: 907640
 CODE: RX135814-01 MOTOR FLANGE CODE: RX128707-07

EXTERNAL DIMENSIONS & INTERFACES: SN: 907640



General tolerance: Js13 Cmm Automatic / manual coordinate-measuring machine µm Micrometer Cr Calliper rule Di Dial indicator Pg Plug gauge

For the installation, please refer to User Manual KRP (182/008)

SPECIFIC REMARKS:

HOUSING					OUTPUT PINION					MOTOR FLANGE				
requirement			measure		requirement			measure		requirement			measure	
J3188					L1048									
Ø	E1	120h7 ⁰ _{-0,035}	µm	119,98	Span dimension over 3 teeth					Ø	B	131	µm	131
Ø	E2	110h7 ⁰ _{-0,035}	µm	109,97	G1	23,278 ⁰ _{-0,023}	Cmm	23,265	Ø	C	32 ^{+0,05} _{+0,025}	µm	32,025	
n x H on PCD J		8Ø5,5 on PCD 135	Cr	8Ø5,5 on PCD 135	g1	0,021	Di	0,015	Ø	D	8	Cr	8,51	
					No-load input torque					Ø	S1	165	Cr	165
A	128,5	µm	128,84	Line 1					0,2 Nm	Ø	Y1	M10	Pg	M10
L	69	µm	69,19											

Noise level			
	Line	Stiffness	1600 rpm input (dB(A))
Torsional stiffness (Nm/arcmin)	1	40	66,5
Radial stiffness (N/µm)	1	160	

Date: 11/05/2023

Visa: C DE MIRANDA

Version: A

Product images are for illustrative purposes only.