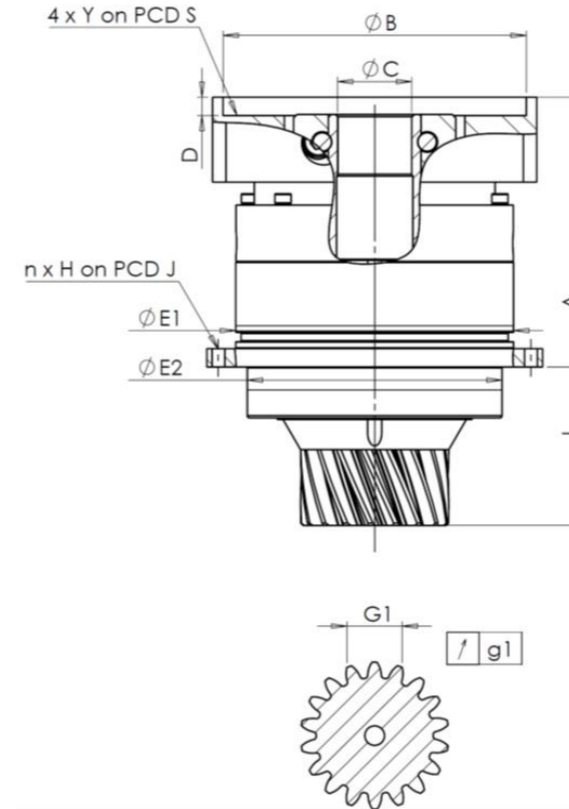


CUSTOMER: UNIOR CUSTOMER ORDER REF: *B8057-23 UNIOR
 DISTRIBUTOR: REDEX ORDER REF: 217668
 DESIGNATION: KRP0+M.5.3.183H.B5.22/32 SERIAL NUMBER: 907639
 CODE: RX135814-01 MOTOR FLANGE CODE: RX128707-07

EXTERNAL DIMENSIONS & INTERFACES: SN: 907639



General tolerance: Js13 Cmm Automatic / manual coordinate-measuring machine µm Micrometer Cr Calliper rule Di Dial indicator Pg Plug gauge

For the installation, please refer to User Manual KRP (182/008)

SPECIFIC REMARKS:

HOUSING					OUTPUT PINION				MOTOR FLANGE					
requirement		measure			requirement		measure		requirement		measure			
		H957					L1033							
Ø	E1	120h7 ⁰ _{-0,035}	µm	119,99	Span dimension over 3 teeth				Ø	B	131	µm	131	
Ø	E2	110h7 ⁰ _{-0,035}	µm	109,99	G1	23,278 ⁰ _{-0,023}	Cmm	23,27	Ø	C	32 ^{+0,05} _{+0,025}	µm	32,025	
n x H on PCD J		8Ø5,5 on PCD 135	Cr	8Ø5,5 on PCD 135	g1	0,021	Di	0,02	Ø	D	8	Cr	8,49	
		A	128,5	µm	128,81	No-load input torque				Ø	S1	165	Cr	165
		L	69	µm	69,31	Line 1		0,2 Nm		Ø	Y1	M10	Pg	M10

Noise level			
		Line	Stiffness
		1600 rpm input (dB(A))	
		64,5	
Torsional stiffness (Nm/arcmin)	1	40	
Radial stiffness (N/µm)	1	160	

Date: 11/05/2023

Visa: C DE MIRANDA

Version: A

Product images are for illustrative purposes only.