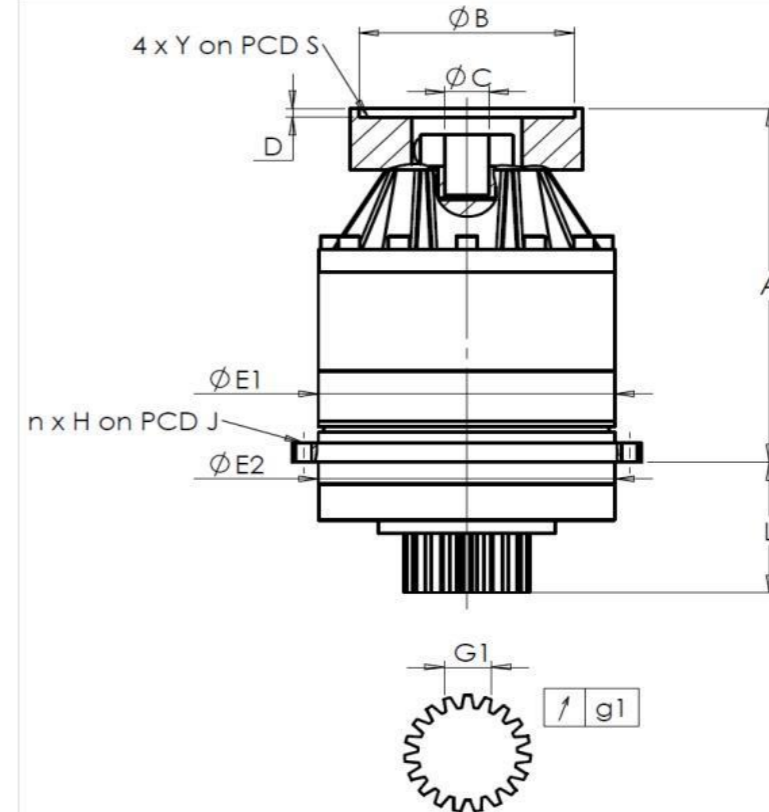


CUSTOMER: **ACCELERATED MACHINE** CUSTOMER ORDER REF: ***33133-00 ACCELERATED MACH**
 DISTRIBUTOR: **ANDANTEX INCORPORATED** REDEX ORDER REF: **217575**
 DESIGNATION: **KRP4+M.21.3.H.35/48** SERIAL NUMBER: **907594**
 CODE: **RX128414-11** MOTOR FLANGE CODE: **RX129618-08**

EXTERNAL DIMENSIONS & INTERFACES: SN: **907594**



For the installation, please refer to User Manual KRP (182/008)

SPECIFIC REMARKS:

General tolerance: Js13 Cmm Automatic / manual coordinate-measuring machine µm Micrometer Cr Calliper rule Di Dial indicator Pg Plug gauge

HOUSING				OUTPUT PINION				MOTOR FLANGE				
requirement		measure		requirement		measure		requirement		measure		
		F5597				H765						
E1	285h7 ⁰ _{-0,052} µm	284,97	Span dimension over 3 teeth				Ø B	251 µm	251			
E2	285h7 ⁰ _{-0,052} µm	284,97	G1	46,9 ⁰ _{-0,03} Cmm	46,885	Ø C	48 ^{+0,05} _{+0,025} µm	48,03				
n x H on PCD J	16 Ø14 on PCD 310	16 Ø14 on PCD 310	g1	0,022	0,02	Ø D	8	8,5	Ø S1	300	300	
A	374,5 µm	375,19	No-load input torque				Ø Y1	M18	M18			
L	141 µm	141,16	Line 1		2,2 Nm							

		Line	Stiffness	Noise level	
				@1300 rpm input (dB(A))	62,0
Torsional stiffness (Nm/arcmin)	1	574,81			
Radial stiffness (N/µm)	1	1363			

Date: **22/05/2023**

Visa: **C DE MIRANDA**

Version: **A**

Product images are for illustrative purposes only.