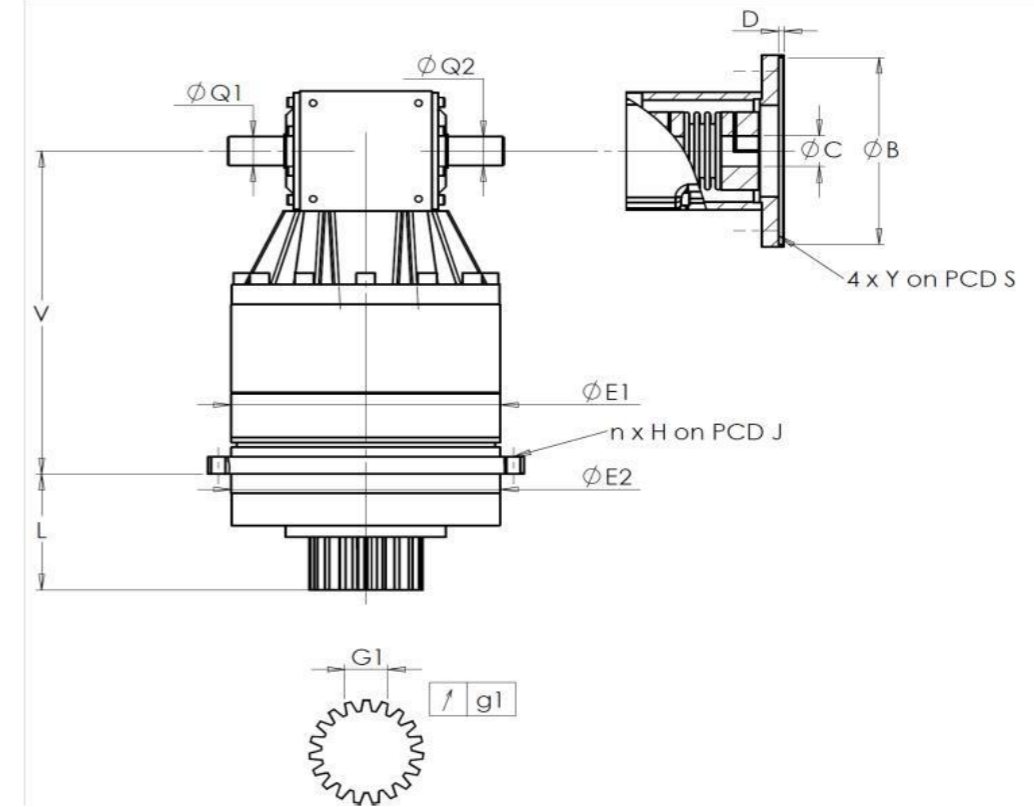


CUSTOMER: F.H.P.U ZAK WLODZIMIERZ OKR CUSTOMER ORDER REF: 65/11/ZAM/2022-TCE200X8M 02.1  
 DISTRIBUTOR: REDEX ORDER REF: 217344  
 DESIGNATION: KRP5+R.91.4.H SERIAL NUMBER: 907569  
 CODE: RX133319-33 MOTOR FLANGE CODE:

EXTERNAL DIMENSIONS & INTERFACES: SN: 907569



For the installation, please refer to User Manual KRP (182/008)

SPECIFIC REMARKS:

General tolerance: Js13 Cmm Automatic / manual coordinate-measuring machine µm Micrometer Cr Calliper rule Di Dial indicator Pg Plug gauge

HOUSING					OUTPUT PINION				MOTOR FLANGE				
requirement		measure			requirement		measure		requirement		measure		
G2070					H2483				-				
E1	355j6	<sup>+0,018</sup> <sub>-0,018</sub>	µm	355,01	Span dimension over 3 teeth				Ø	B	µm		
E2	355j6	<sup>+0,018</sup> <sub>-0,018</sub>	µm	355,01	G1	62,97	<sup>0</sup> <sub>-0,05</sub>	Cmm	62,95	Ø	C	µm	
n x H on PCD J	12 Ø17,5 on PCD 385		Cr	12 Ø17,5 on PCD 385	g1	0,03	Di	0,02	Ø	D	Cr		
V	491		µm	491,52	No-load input torque				Ø	S1	Cr		
L	178		µm	177,94	Line 1				Ø	Y1	Pg		
Ø Q1	45	<sup>+0,011</sup> <sub>-0,005</sub>	µm	44,995	Line				Noise level				
Ø Q2	45	<sup>+0,011</sup> <sub>-0,005</sub>	µm	44,999	Stiffness				@1000 rpm input (dB(A))				
					Torsional stiffness (Nm/arcmin)				64,5				
					Radial stiffness (N/µm)				1076,47				
									1254				

Date: 09/05/2023

Visa: C DE MIRANDA

Version: A

Product images are for illustrative purposes only.