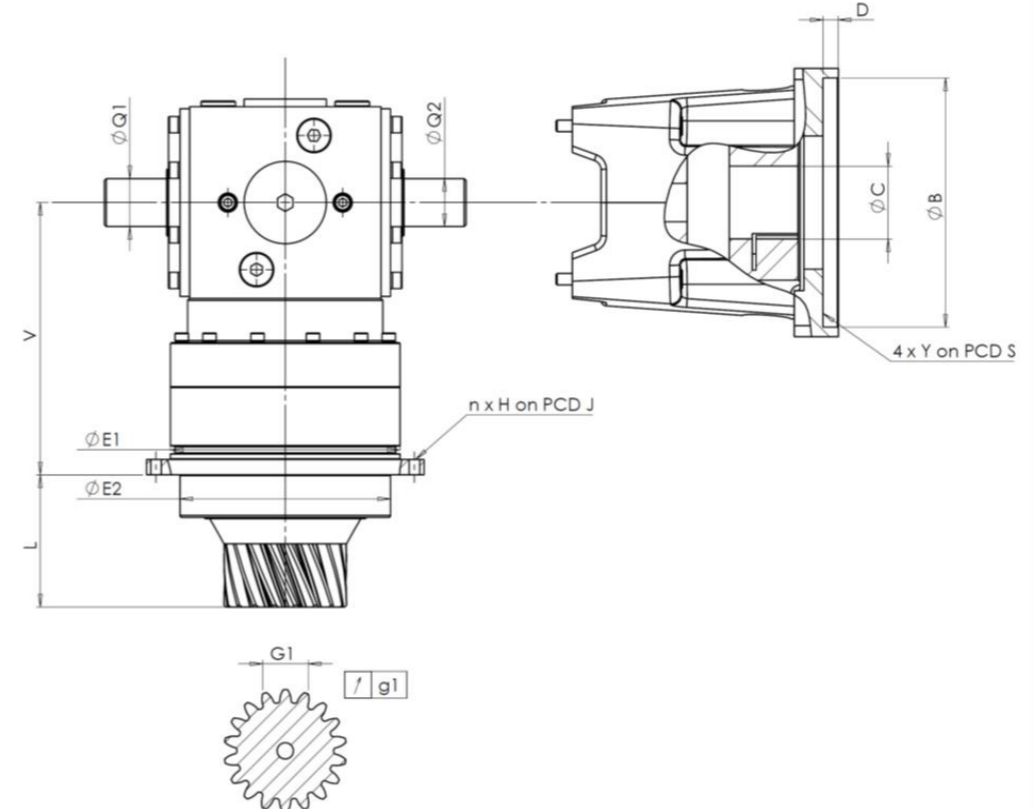


CUSTOMER: **PRECISA** CUSTOMER ORDER REF: ***616 PRECISA**
 DISTRIBUTOR: **ANDANTEX S.r.l** REDEX ORDER REF: **217429**
 DESIGNATION: **KRP0+R.10.4.143H.B5/B5** SERIAL NUMBER: **907458**
 CODE: **RX134566-03** MOTOR FLANGE CODE:

EXTERNAL DIMENSIONS & INTERFACES: SN: **907458**



For the installation, please refer to User Manual KRP (182/008)

SPECIFIC REMARKS:

General tolerance: Js13 Cmm Automatic / manual coordinate-measuring machine µm Micrometer Cr Calliper rule Di Dial indicator Pg Plug gauge

HOUSING				OUTPUT PINION				MOTOR FLANGE			
requirement		measure		requirement		measure		requirement		measure	
		H981				K2533				-	
Ø	E1	120h7 ⁰ _{-0,035}	µm	119,98	Span dimension over 3 teeth				Ø	B	µm
Ø	E2	110h7 ⁰ _{-0,035}	µm	109,975	G1	23,466 ^{-0,071} _{-0,082}	Cmm	23,395	Ø	C	µm
n x H on PCD J		8Ø5,5 on PCD 135	Cr	8Ø5,5 on PCD 135	g1	0,021	Di	0,01	Ø	D	Cr
	V	142	µm	142,15	No-load input torque				Ø	S1	Cr
	L	69	µm	69,31	Line 1		0,3 Nm		Ø	Y1	Pg
Ø	Q1	25 ^{+0,009} _{-0,004}	µm	24,996	Noise level				1600 rpm input (dB(A))		70,5
Ø	Q2	25 ^{+0,009} _{-0,004}	µm	25,004	Line		Stiffness				
				Torsional stiffness (Nm/arcmin)		1	40				
				Radial stiffness (N/µm)		1	160				

Date: **06/04/2023**

Visa: **C DE MIRANDA**

Version: **A**

Product images are for illustrative purposes only.