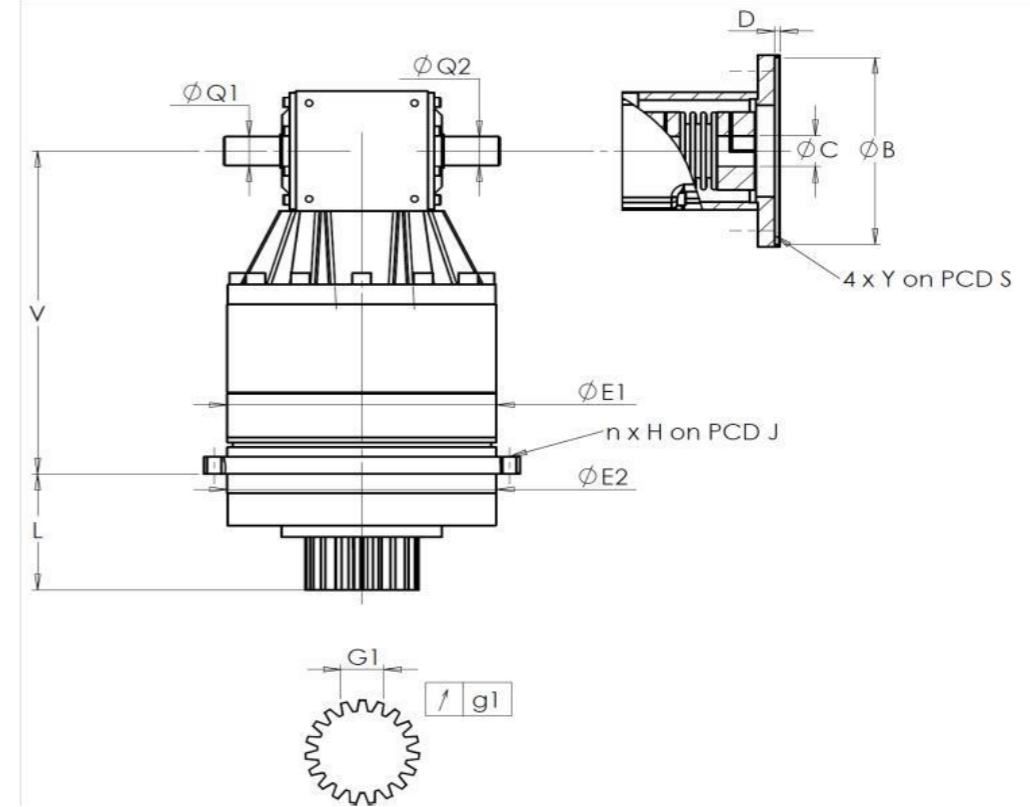


CUSTOMER: **ARCO CHEER** CUSTOMER ORDER REF: **\*RX111304T11.08.22**  
 DISTRIBUTOR: **REDEX ORDER REF: 217148**  
 DESIGNATION: **KRP2.R1.21.4.H** SERIAL NUMBER: **907357**  
 CODE: **RX133930-11** MOTOR FLANGE CODE:

EXTERNAL DIMENSIONS & INTERFACES: SN: **907357**



For the installation, please refer to User Manual KRP (182/008)

SPECIFIC REMARKS:

General tolerance: Js13 *Cmm* Automatic / manual coordinate-measuring machine  $\mu\text{m}$  Micrometer *Cr* Calliper rule *Di* Dial indicator *Pg* Plug gauge

HOUSING				OUTPUT PINION				MOTOR FLANGE			
requirement		measure		requirement		measure		requirement		measure	
E8741				F667				-			
E1	212h7 <sup>0</sup> <sub>-0,046</sub> $\mu\text{m}$	211,975	Span dimension over 4 teeth				Ø	B	$\mu\text{m}$		
E2	200h7 <sup>0</sup> <sub>-0,046</sub> $\mu\text{m}$	199,975	G1	44,27 <sup>0</sup> <sub>-0,03</sub> <i>Cmm</i>	44,25	Ø	C	$\mu\text{m}$			
n x H on PCD J	12 Ø9 on PCD 233 <i>Cr</i>	12 Ø9 on PCD 233 <i>Cr</i>	g1	0,022 <i>Di</i>	0,01	Ø	D	<i>Cr</i>			
V	289 $\mu\text{m}$	289,38	No-load input torque				Ø	S1	<i>Cr</i>		
L	94 $\mu\text{m}$	93,87	Line 1				Ø	Y1	<i>Pg</i>		
Ø Q1	25 <sup>+0,009</sup> <sub>-0,004</sub> $\mu\text{m}$	24,999	Line				Stiffness		Noise level		
Ø Q2	25 <sup>+0,009</sup> <sub>-0,004</sub> $\mu\text{m}$	25,004							@1600 rpm input (dB(A))	67,0	
				Torsional stiffness (Nm/arcmin)		1	243,75				
				Radial stiffness (N/ $\mu\text{m}$ )		1	614				

Date: **02/02/2023**

Visa: **P VASLIER**

Version: **A**

Product images are for illustrative purposes only.