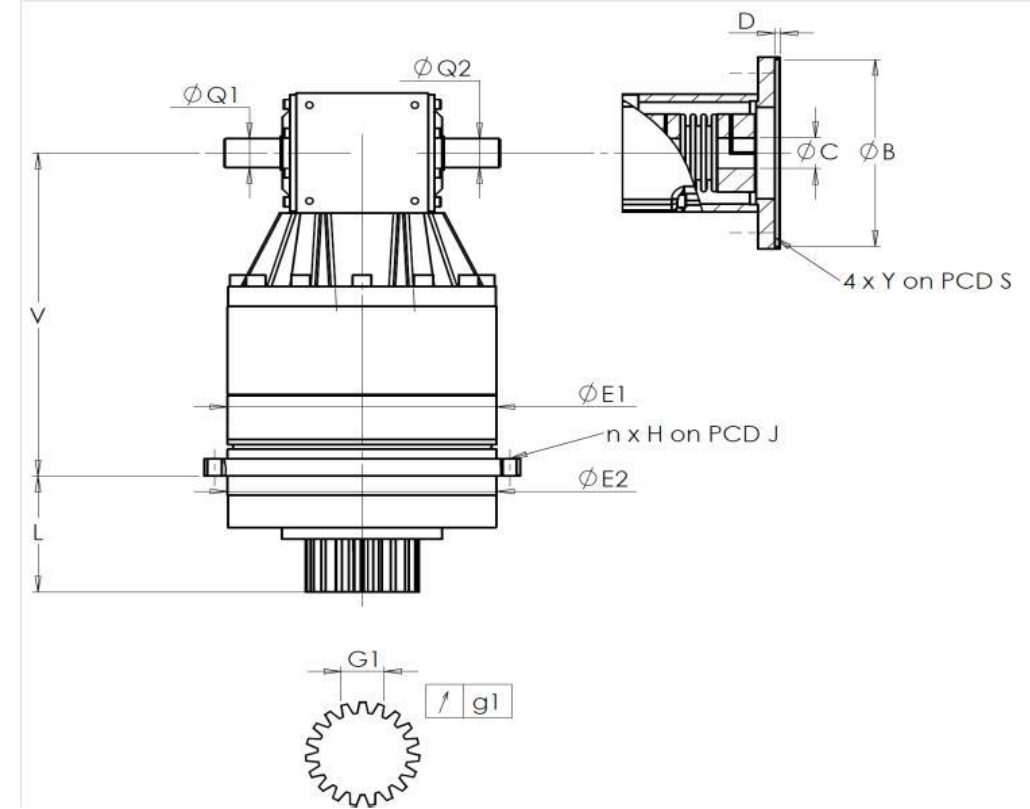


CUSTOMER: **ARCO CHEER** CUSTOMER ORDER REF: ***RX111304T11.08.22**
 DISTRIBUTOR: **REDEX ORDER REF: 217148**
 DESIGNATION: **KRP2.R1.21.4.H** SERIAL NUMBER: **907356**
 CODE: **RX133930-11** MOTOR FLANGE CODE:

EXTERNAL DIMENSIONS & INTERFACES: SN: **907356**



For the installation, please refer to User Manual KRP (182/008)

SPECIFIC REMARKS:

General tolerance: Js13 *Cmm* Automatic / manual coordinate-measuring machine μm Micrometer *Cr* Calliper rule *Di* Dial indicator *Pg* Plug gauge

HOUSING				OUTPUT PINION				MOTOR FLANGE				
requirement		measure		requirement		measure		requirement		measure		
E8730				F680				-				
E1	212h7 ⁰ _{-0,046} μm	211,98	Span dimension over 4 teeth				\emptyset	B	μm			
E2	200h7 ⁰ _{-0,046} μm	199,98	G1	44,27 ⁰ _{-0,03} <i>Cmm</i>	44,25	\emptyset	C	μm				
n x H on PCD J	12 \emptyset 9 on PCD 233 <i>Cr</i>	12 \emptyset 9 on PCD 233 <i>Cr</i>	g1	0,022 <i>Di</i>	0,01	\emptyset	D	<i>Cr</i>				
V	289 μm	289,37	No-load input torque				\emptyset	S1	<i>Cr</i>			
L	94 μm	93,89	Line 1				1 Nm	\emptyset	Y1	<i>Pg</i>		
\emptyset Q1	25 ^{+0,009} _{-0,004} μm	25,001	Noise level				Line		Stiffness	@1600 rpm input (dB(A))	69,0	
\emptyset Q2	25 ^{+0,009} _{-0,004} μm	25,002	Torsional stiffness (Nm/arcmin)				1	243,75				
			Radial stiffness (N/ μm)				1	618				

Date: **02/02/2023**

Visa: **P VASLIER**

Version: **A**

Product images are for illustrative purposes only.