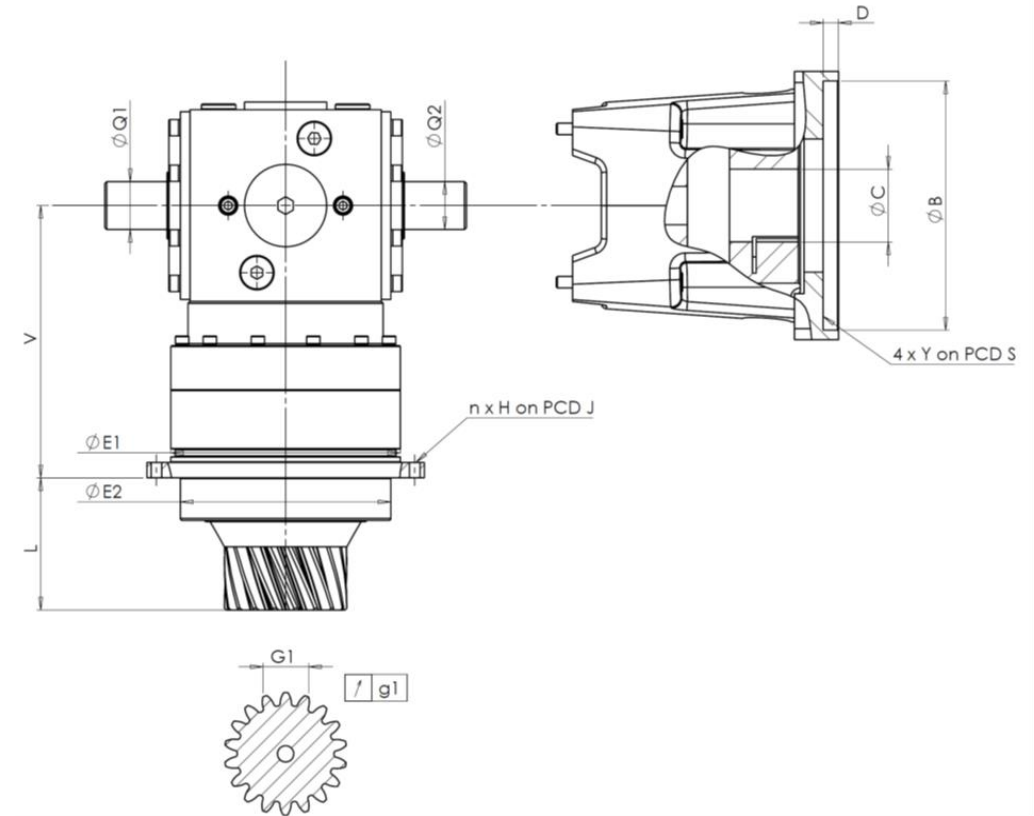


CUSTOMER: **IBARMIA** CUSTOMER ORDER REF: ***009221/116885 IBARMIA**
 DISTRIBUTOR: **REDEX ORDER REF: 217122**
 DESIGNATION: **KRP0+R.10.4.143H.V3/B5** SERIAL NUMBER: **907171**
 CODE: **RX134666-03** MOTOR FLANGE CODE:

EXTERNAL DIMENSIONS & INTERFACES: SN: **907171**



For the installation, please refer to User Manual KRP (182/008)

SPECIFIC REMARKS:

General tolerance: Js13 *Cmm* Automatic / manual coordinate-measuring machine μm Micrometer *Cr* Calliper rule *Di* Dial indicator *Pg* Plug gauge

HOUSING					OUTPUT PINION				MOTOR FLANGE			
requirement		measure			requirement		measure		requirement		measure	
		H970					K2535					
Ø	E1	120h7 ⁰ _{-0,035}	μm	119,99	Span dimension over 3 teeth				Ø	B	μm	
Ø	E2	110h7 ⁰ _{-0,035}	μm	109,99	G1	23,466 ^{-0,071} _{-0,082}	<i>Cmm</i>	23,395	Ø	C	μm	
n x H on PCD J		8Ø5,5 on PCD 135	<i>Cr</i>	8Ø5,5 on PCD 135	g1	0,021	<i>Di</i>	0,02	Ø	D	<i>Cr</i>	
V	142	μm	142,11	No-load input torque				Ø	S1	<i>Cr</i>		
L	69	μm	69,38	Line 1				Ø	Y1	<i>Pg</i>		
Ø	Q1	25 ^{+0,009} _{-0,004}	μm	25,005	Noise level				1600 rpm input (dB(A))		69,5	
Ø	Q2	25 ^{+0,009} _{-0,004}	μm	25,005	Torsional stiffness (Nm/arcmin)		1	40				
					Radial stiffness (N/ μm)		1	160				

Date: **06/01/2023**

Visa: **C DE MIRANDA**

Version: **A**

Product images are for illustrative purposes only.