

CUSTOMER: REDEX SHANGHAI **CUSTOMER ORDER REF:** *RXCN2022091646 IO

DISTRIBUTOR: REDEX SHANGHAI REPAIRING **REDEX ORDER REF:** 217218

DESIGNATION: KRPX2.M1.31.3.H.28/38 **SERIAL NUMBER:** 907167

CODE: RX134762-12 **MOTOR FLANGE CODE:** RX128581-01

For the installation, please refer to User Manual KRPX (182/010)

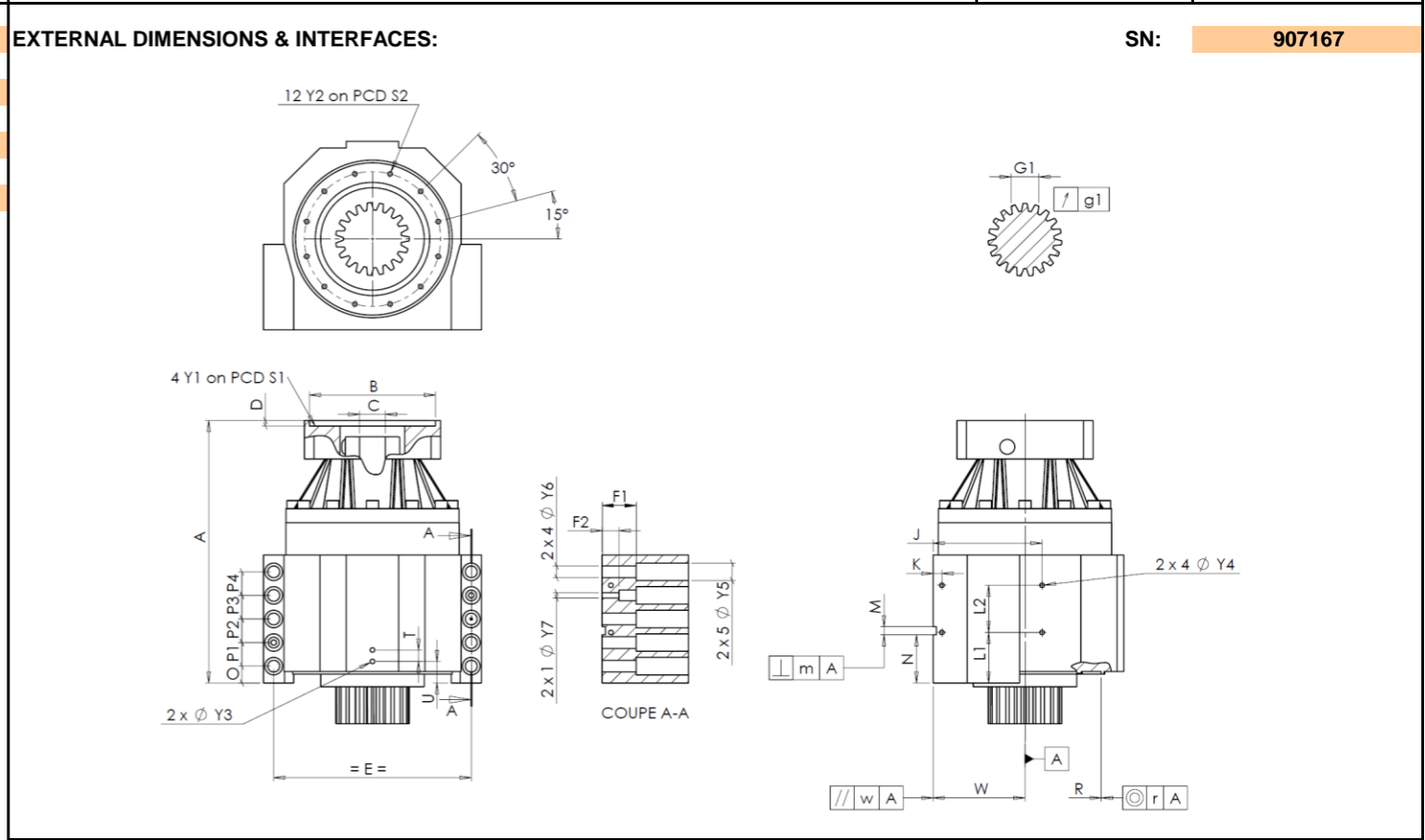
SPECIFIC REMARKS:

Product images are for illustrative purposes only.



1, Rue Paul De Fontenay
F- 45210 FERRIERES
www.redex-group.com

Tel: +33 2 38 94 42 00
Fax: +33 2 38 94 42 99
Email: info@redex-group.com



General tolerance: Js13 *Cmm* Automatic / manual coordinate-measuring machine μm Micrometer *Cr* Calliper rule *Di* Dial indicator *Pg* Plug gauge

HOUSING				HOUSING				MOTOR FLANGE							
requirement		measure		requirement		measure		requirement		measure					
		F65		L1	60	<i>Cr</i>	60								
	Y2	M6x12	<i>Pg</i>	M6x12		L2	60	<i>Cr</i>	60	∅	B	181	μm	181	
∅	S2	165	$^{+0,1}_{-0,1}$	<i>Cr</i>	165	J	130	<i>Cr</i>	130	∅	C	38	$^{+0,05}_{+0,025}$	μm	38,045
	A	332		μm	332,62	K	11	<i>Cr</i>	11		D	8		<i>Cr</i>	8,45
	E	240		<i>Cr</i>	240	2 x 4∅	Y4	M6x12	<i>Pg</i>	M6x12	∅	S1	215	<i>Cr</i>	215
	O	15		<i>Cr</i>	15	F1	40	<i>Cr</i>	40	∅	Y1	M12	<i>Pg</i>	M12	
	P1	30		<i>Cr</i>	30	F2	24	<i>Cr</i>	24	No-load input torque					
	P2	30		<i>Cr</i>	30	2 x 1∅	Y7	10	μm	10	Line 1		0,7 Nm		
	P3	30		<i>Cr</i>	30	2 x 4∅	Y6	15,5	μm	15,5	Line Stiffness				
	P4	30		<i>Cr</i>	30	2 x 5∅	Y5	24	μm	24	Torsional stiffness (Nm/arcmin)		1	243,75	
	T	14		<i>Cr</i>	14		M H6	10	$^{+0,009}_0$	<i>Cmm</i>	10,004	Radial stiffness (N/ μm)		1	576
	U	26		<i>Cr</i>	26	⊥	m	0,05	<i>Cmm</i>	0,004					
2 x 1∅	Y3	M6x12	<i>Pg</i>	M6x12			N	55	$^{+0,1}_{-0,1}$	<i>Cmm</i>	55				
	R	186	$^{+0,2}_{+0,1}$	<i>Cmm</i>	186,151	A	W	110	$^{+0,02}_{-0,02}$	<i>Cmm</i>	110,008				
⊙	r	0,1		<i>Cmm</i>	0,019	//	w	0,03	/A	<i>Cmm</i>	0,002				

OUTPUT PINION				Noise level	
		F694		@1600 rpm input (dB(A))	63,0
Span dimension over 4 teeth					
	G1	44,27	$^0_{-0,03}$	<i>Cmm</i>	44,25
↗	g1	0,022		<i>Di</i>	0,01

Date: 28/12/2022

Version: A

Visa: P VASLIER



1, Rue Paul De Fontenay
F- 45210 FERRIERES
www.redex-group.com

Tel: +33 2 38 94 42 00
Fax: +33 2 38 94 42 99
Email: info@redex-group.com