

CUSTOMER: REDEX SHANGHAI **CUSTOMER ORDER REF:** *RXCN2022091646 IO

DISTRIBUTOR: REDEX SHANGHAI REPAIRING **REDEX ORDER REF:** 217218

DESIGNATION: KRPX3+M.31.3.H.28/38 **SERIAL NUMBER:** 907166

CODE: RX131507-12 **MOTOR FLANGE CODE:** RX128581-01

For the installation, please refer to User Manual KRPX (182/010)

SPECIFIC REMARKS:

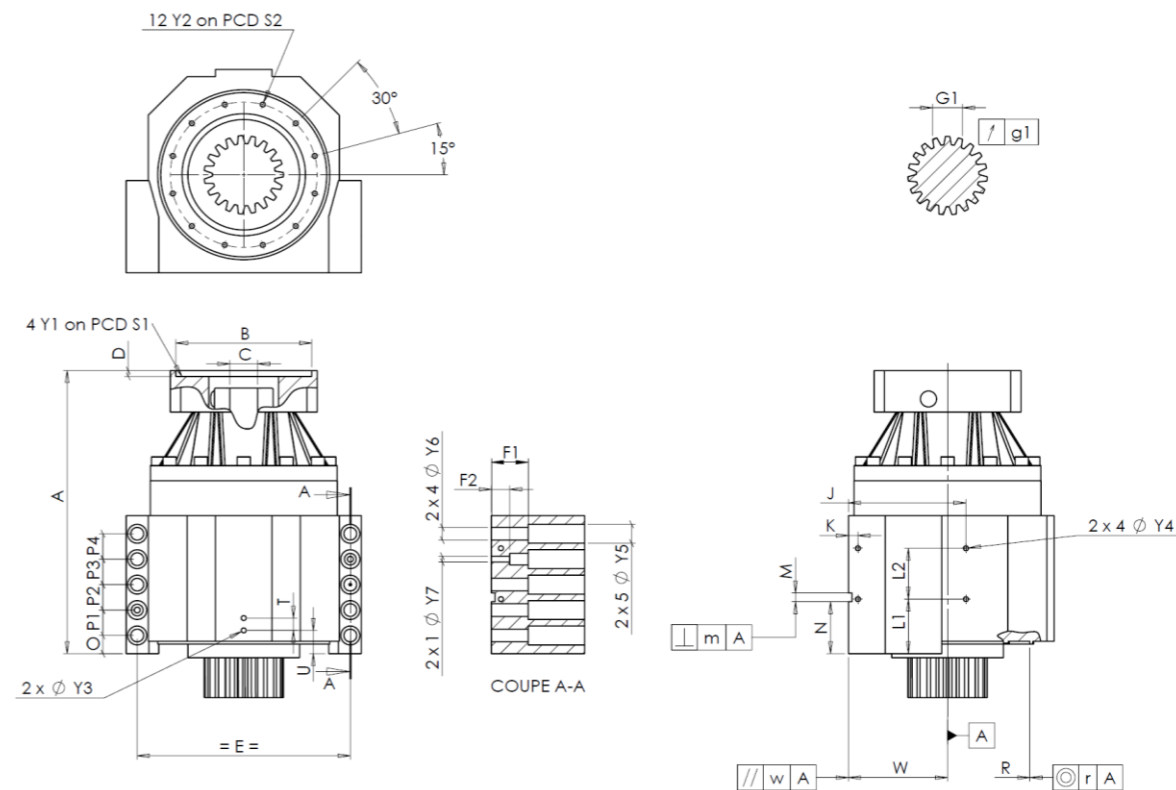
Product images are for illustrative purposes only.



1, Rue Paul De Fontenay
F- 45210 FERRIERES
www.redex-group.com

Tel: +33 2 38 94 42 00
Fax: +33 2 38 94 42 99
Email: info@redex-group.com

EXTERNAL DIMENSIONS & INTERFACES: **SN:** 907166



General tolerance: Js13 Cmm Automatic / manual coordinate-measuring machine μm Micrometer Cr Calliper rule Di Dial indicator Pg Plug gauge

HOUSING				HOUSING				MOTOR FLANGE						
requirement		measure		requirement		measure		requirement		measure				
			F88	L1	75	Cr	75							
∅	Y2	M8x15	Pg	M8x15	L2	70	Cr	70	∅	B	181	μm	181	
	S2	200 ^{+0,1} _{-0,1}	Cr	200	J	160	Cr	160	∅	C	38 ^{+0,05} _{+0,025}	μm	38,05	
	A	389,5	μm	389,33	K	13	Cr	13		D	8	Cr	8,47	
	E	290	Cr	290	2 x 4∅	Y4	M8x15	Pg	M8x15	∅	S1	215	Cr	215
	O	25	Cr	25	F1	50	Cr	50	∅	Y1	M12	Pg	M12	
	P1	35	Cr	35	F2	25	Cr	25	No-load input torque					
	P2	35	Cr	35	2 x 1∅	Y7	12	μm	12	Line 1		1,2 Nm		
	P3	35	Cr	35	2 x 4∅	Y6	17,5	μm	17,5	Line Stiffness				
	P4	35	Cr	35	2 x 5∅	Y5	26	μm	26	Torsional stiffness (Nm/arcmin)		1	473,03	
	T	17	Cr	17	M H6	12 ^{+0,011} ₀	Cmm	12,002	Radial stiffness (N/μm)		1	960		
	U	32	Cr	32	⊥	m	0,05	Cmm	0,019					
2 x 1∅	Y3	M8x15	Pg	M8x15		N	71,5 ^{+0,1} _{-0,1}	Cmm	71,451					
	R	226 ^{+0,2} _{+0,1}	Cmm	226,141	A	W	135 ^{+0,035} _{-0,035}	Cmm	135,02					
⊙	r	0,1	Cmm	0,023	//	w	0,03	/A	Cmm	0,005				

OUTPUT PINION				Noise level	
		F812		@1600 rpm input (dB(A))	65,5
Span dimension over 3 teeth					
	G1	39,25 ⁰ _{-0,03}	Cmm	39,235	
↗	g1	0,022	Di	0,02	

Date: 07/12/2022

Visa: C DE MIRANDA

Version: A



1, Rue Paul De Fontenay
F- 45210 FERRIERES
www.redex-group.com

Tel: +33 2 38 94 42 00
Fax: +33 2 38 94 42 99
Email: info@redex-group.com