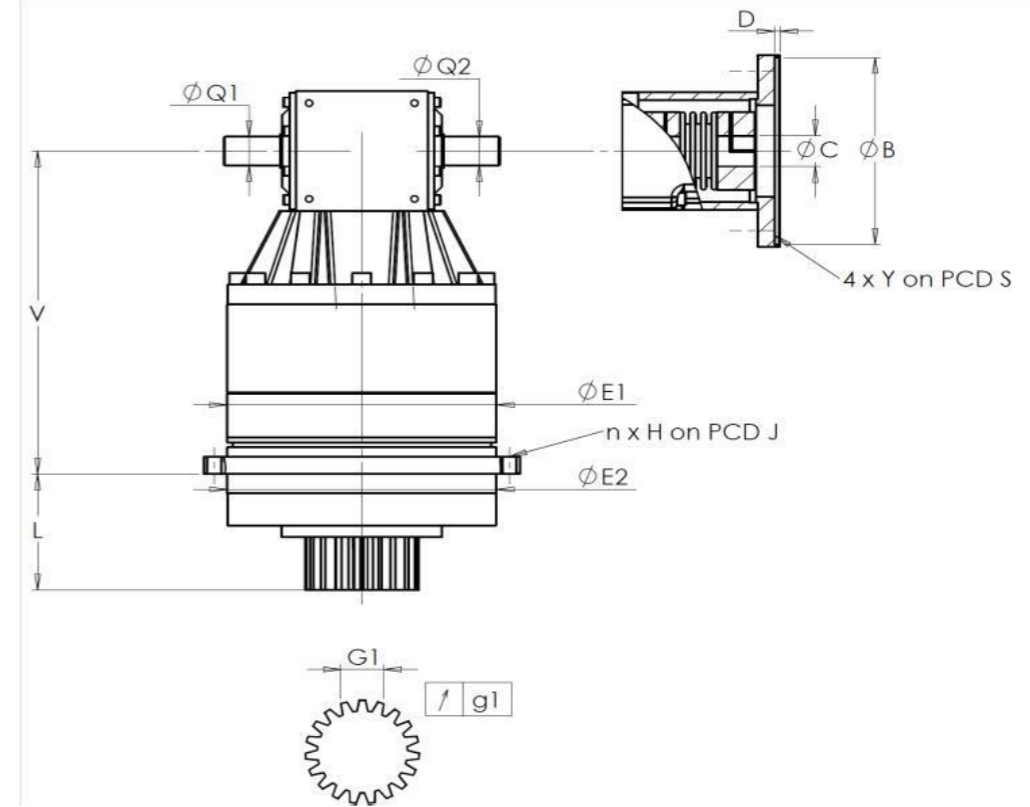


CUSTOMER: **BHARAT FRITZ WERN** CUSTOMER ORDER REF: **\*9000017908/0**  
 DISTRIBUTOR: **REDEX ORDER REF: 217009**  
 DESIGNATION: **KRP2.R1.61.4.H** SERIAL NUMBER: **907122**  
 CODE: **RX133930-32** MOTOR FLANGE CODE: **RX129627-02**

EXTERNAL DIMENSIONS & INTERFACES: SN: **907122**



For the installation, please refer to User Manual KRP (182/008)

SPECIFIC REMARKS:

General tolerance: Js13 *Cmm* Automatic / manual coordinate-measuring machine  $\mu m$  Micrometer *Cr* Calliper rule *Di* Dial indicator *Pg* Plug gauge

HOUSING				OUTPUT PINION				MOTOR FLANGE			
requirement		measure		requirement		measure		requirement		measure	
E8758				F734				E9151			
E1	212h7 <sup>0</sup> <sub>-0,046</sub>	$\mu m$	211,98	Span dimension over 4 teeth				$\emptyset$ B	114,3 <sup>+0,047</sup> <sub>+0,012</sub>	$\mu m$	114,32
E2	200h7 <sup>0</sup> <sub>-0,046</sub>	$\mu m$	199,98	G1	44,27 <sup>0</sup> <sub>-0,03</sub>	<i>Cmm</i>	44,25	$\emptyset$ C	35 <sup>+0,05</sup> <sub>+0,025</sub>	$\mu m$	35,05
n x H on PCD J	12 $\emptyset$ 9 on PCD 233	<i>Cr</i>	12 $\emptyset$ 9 on PCD 233	$\nearrow$ g1	0,022	<i>Di</i>	0,01	D	8	<i>Cr</i>	8,08
V	289	$\mu m$	289,34	No-load input torque				$\emptyset$ S1	200	<i>Cr</i>	200
L	94	$\mu m$	93,94	Line 1				$\emptyset$ Y1	M12	<i>Pg</i>	M12
$\emptyset$ Q1	25 <sup>+0,009</sup> <sub>-0,004</sub>	$\mu m$	24,999	Line				Noise level			
$\emptyset$ Q2	25 <sup>+0,009</sup> <sub>-0,004</sub>	$\mu m$	25,001	Line				@1600 rpm input (dB(A))			
				Torsional stiffness (Nm/arcmin)				66,5			
				Radial stiffness (N/ $\mu m$ )				596			

Date: **19/12/2022**

Visa: **P VASLIER**

Version: **A**

Product images are for illustrative purposes only.