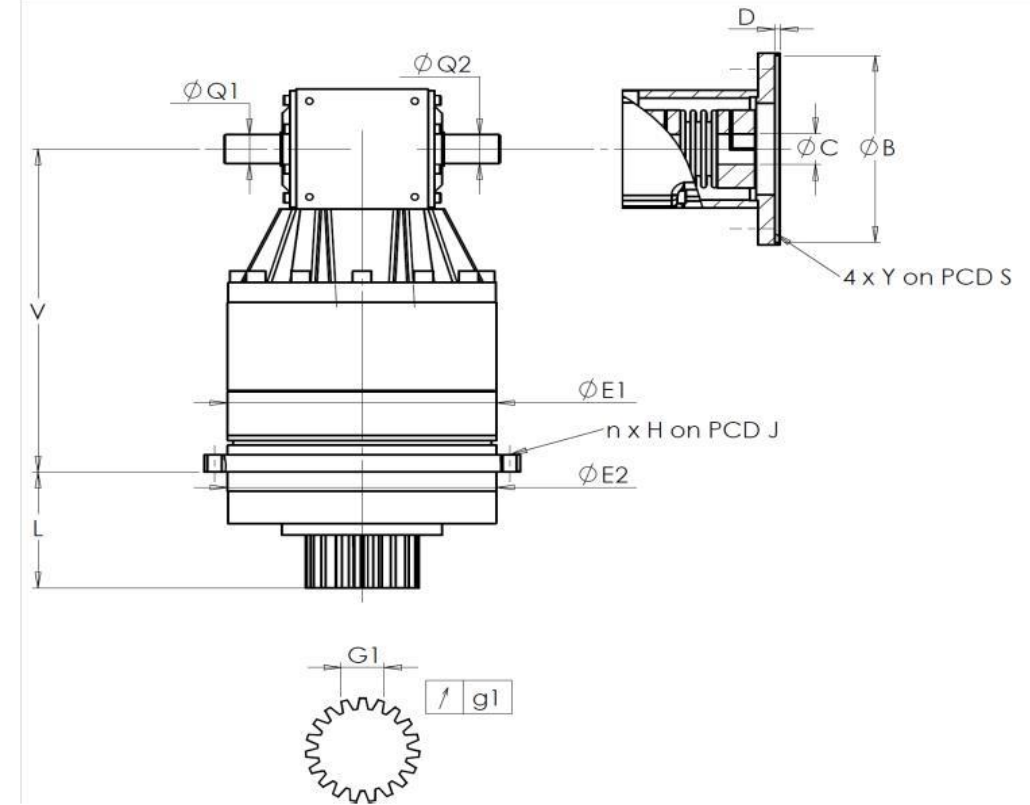


CUSTOMER: **BHARAT FRITZ WERN** CUSTOMER ORDER REF: ***9000017908/0**
 DISTRIBUTOR: **REDEX ORDER REF: 217009**
 DESIGNATION: **KRP2.R1.61.4.H** SERIAL NUMBER: **907121**
 CODE: **RX133930-32** MOTOR FLANGE CODE:

EXTERNAL DIMENSIONS & INTERFACES: SN: **907121**



For the installation, please refer to User Manual KRP (182/008)

SPECIFIC REMARKS:

General tolerance: Js13 *Cmm* Automatic / manual coordinate-measuring machine μm Micrometer *Cr* Calliper rule *Di* Dial indicator *Pg* Plug gauge

HOUSING				OUTPUT PINION				MOTOR FLANGE			
requirement		measure		requirement		measure		requirement		measure	
E8761				F710				-			
E1	212h7 ⁰ _{-0,046}	μm	211,975	Span dimension over 4 teeth				\emptyset	B	μm	
E2	200h7 ⁰ _{-0,046}	μm	199,975	G1	44,27 ⁰ _{-0,03}	<i>Cmm</i>	44,25	\emptyset	C	μm	
n x H on PCD J	12 \emptyset 9 on PCD 233	<i>Cr</i>	12 \emptyset 9 on PCD 233	g1	0,022	<i>Di</i>	0,01	\emptyset	D	<i>Cr</i>	
V	289	μm	289,36	No-load input torque				\emptyset	S1	<i>Cr</i>	
L	94	μm	93,85	Line 1				0,8 Nm			
\emptyset Q1	25 ^{+0,009} _{-0,004}	μm	24,996	Noise level				@1600 rpm input (dB(A))			
\emptyset Q2	25 ^{+0,009} _{-0,004}	μm	25,002			Line	Stiffness	70,5			
				Torsional stiffness (Nm/arcmin)		1	243,75				
				Radial stiffness (N/ μm)		1	641				

Date: **16/12/2022**

Visa: **C DE MIRANDA**

Version: **A**

Product images are for illustrative purposes only.