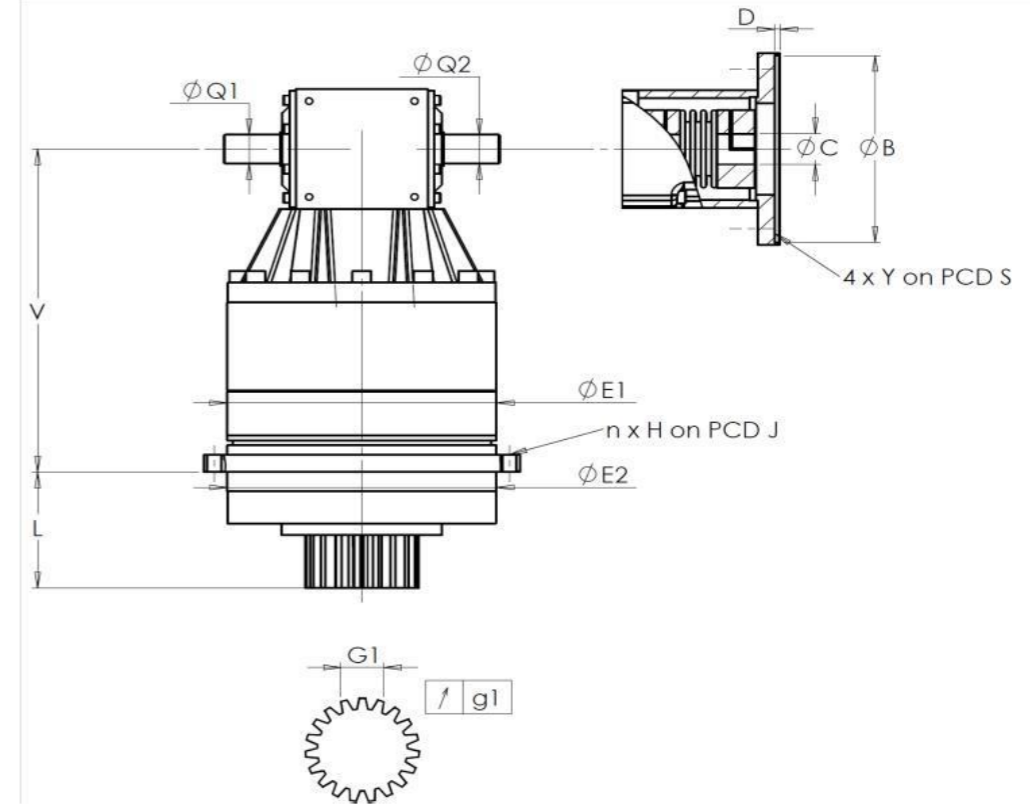


CUSTOMER: **YOU JI** CUSTOMER ORDER REF: **RX111303T YOU JI**  
 DISTRIBUTOR: **REDEX ORDER REF: 217102**  
 DESIGNATION: **KRP3+R.61.4.H** SERIAL NUMBER: **907099**  
 CODE: **RX128565-32** MOTOR FLANGE CODE:

EXTERNAL DIMENSIONS & INTERFACES: SN: **907099**



For the installation, please refer to User Manual KRP (182/008)

SPECIFIC REMARKS:

General tolerance: Js13 Cmm Automatic / manual coordinate-measuring machine μm Micrometer Cr Calliper rule Di Dial indicator Pg Plug gauge

HOUSING				OUTPUT PINION				MOTOR FLANGE			
requirement	measure			requirement	measure			requirement	measure		
	E5501				F817						
E1	255h7 <sup>0</sup> <sub>-0,052</sub> μm	254,96		Span dimension over 3 teeth				∅	B		μm
E2	255h7 <sup>0</sup> <sub>-0,052</sub> μm	254,96		G1	39,25 <sup>0</sup> <sub>-0,03</sub> Cmm	39,23		∅	C		μm
n x H on PCD J	16 ∅13,5 on PCD 280	Cr	16 ∅13,5 on PCD 280	g1	0,022	Di	0,01		D		Cr
V	337	μm	337	No-load input torque				∅	S1		Cr
L	121	μm	121	Line 1	0,8 Nm			∅	Y1		Pg
∅ Q1	30 <sup>+0,009</sup> <sub>-0,004</sub> μm	30,005		Noise level				@1600 rpm input (dB(A))			
∅ Q2	30 <sup>+0,009</sup> <sub>-0,004</sub> μm	30			Line	Stiffness	65,5				
				Torsional stiffness (Nm/arcmin)	1	473,03					
				Radial stiffness (N/μm)	1	1165					

Date: **12/12/2022**

Visa: **C DE MIRANDA**

Version: **A**

Product images are for illustrative purposes only.