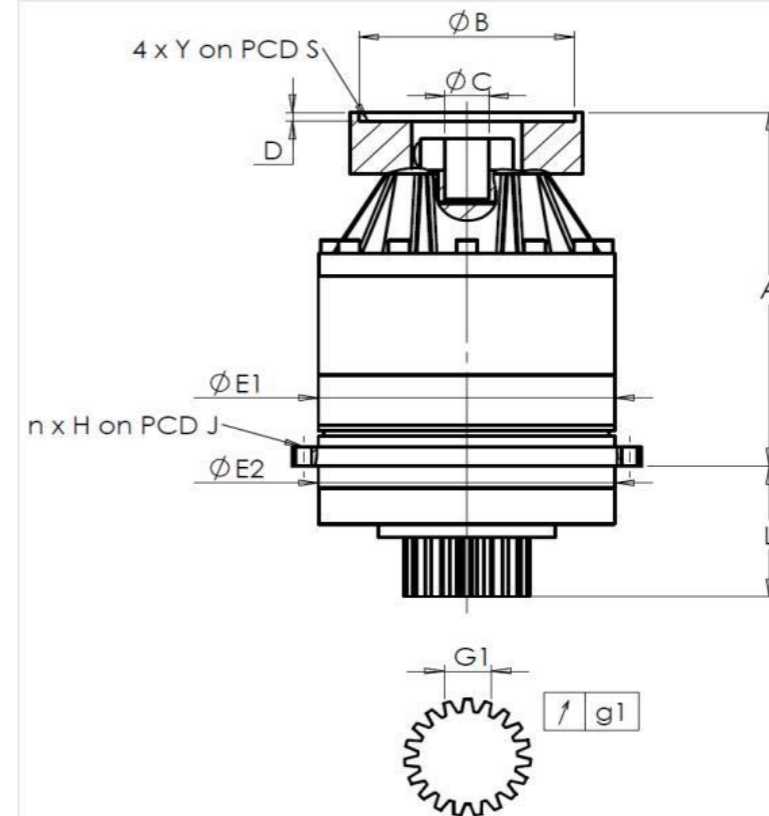


CUSTOMER: **BUNORM** CUSTOMER ORDER REF: ***KOM 33380 BUNORM**
 DISTRIBUTOR: **REDEX ORDER REF: 217047**
 DESIGNATION: **KRP3+M.7.3.XH.48/55** SERIAL NUMBER: **907040**
 CODE: **RX134738-02** MOTOR FLANGE CODE: **RX134690-00**

EXTERNAL DIMENSIONS & INTERFACES: SN: **907040**



General tolerance: Js13 *Cmm* Automatic / manual coordinate-measuring machine μm Micrometer *Cr* Calliper rule *Di* Dial indicator *Pg* Plug gauge

For the installation, please refer to User Manual KRP (182/008)

SPECIFIC REMARKS:

HOUSING				OUTPUT PINION				MOTOR FLANGE			
requirement		measure		requirement		measure		requirement		measure	
		C4659				F833					
E1	255h7 ⁰ _{-0,052} μm		254,99	Span dimension over 3 teeth				Ø B	301	μm	301
E2	255h7 ⁰ _{-0,052} μm		254,99	G1	39,25 ⁰ _{-0,03} <i>Cmm</i>		39,235	Ø C	55F7 ^{+0,06} _{+0,03} μm		55,04
n x H on PCD J	16 Ø13,5 on PCD 280	<i>Cr</i>	16 Ø13,5 on PCD 280	g1	0,022	<i>Di</i>	0,01	Ø D	8	<i>Cr</i>	8,5
A	326,5	μm	327,3	No-load input torque				Ø S1	350	<i>Cr</i>	350
L	121	μm	121,19	Line 1		8 Nm		Ø Y1	M16	<i>Pg</i>	M16

Noise level		
	Line	Stiffness
Torsional stiffness (Nm/arcmin)	1	473,03
Radial stiffness (N/ μm)	1	1170

Noise level	
@1000 rpm input (dB(A))	
	68,0

Date: **29/11/2022**

Visa: **C DE MIRANDA**

Version: **A**

Product images are for illustrative purposes only.