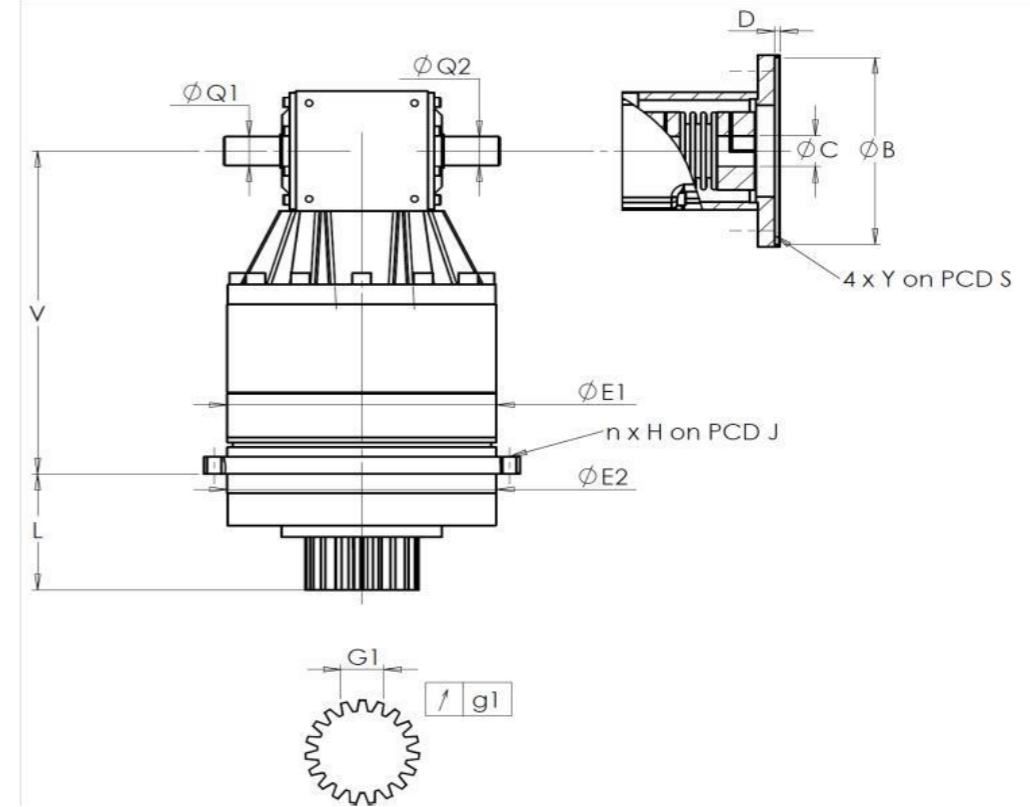


CUSTOMER: **YONG JU** CUSTOMER ORDER REF: ***RX110316T YONGJU**
 DISTRIBUTOR: **REDEX ORDER REF: 216232**
 DESIGNATION: **KRP2.R1.31.4.H** SERIAL NUMBER: **907022**
 CODE: **RX133930-12** MOTOR FLANGE CODE:

EXTERNAL DIMENSIONS & INTERFACES: SN: **907022**



For the installation, please refer to User Manual KRP (182/008)

SPECIFIC REMARKS:

General tolerance: Js13 Cmm Automatic / manual coordinate-measuring machine μm Micrometer Cr Calliper rule Di Dial indicator Pg Plug gauge

HOUSING				OUTPUT PINION				MOTOR FLANGE			
requirement		measure		requirement		measure		requirement		measure	
E6164				F599				-			
E1	212h7 ⁰ _{-0,046} μm	211,97	Span dimension over 4 teeth				∅	B	μm		
E2	200h7 ⁰ _{-0,046} μm	199,98	G1	44,27 ⁰ _{-0,03} Cmm	44,255	∅	C	μm			
n x H on PCD J	12 ∅9 on PCD 233 Cr	12 ∅9 on PCD 233 Cr	g1	0,022 Di	0,01	∅	D	Cr			
V	289 μm	289,37	No-load input torque				∅	S1	Cr		
L	94 μm	94,04	Line 1				∅	Y1	Pg		
∅ Q1	25 ^{+0,009} _{-0,004} μm	24,996	Line				Stiffness		Noise level		
∅ Q2	25 ^{+0,009} _{-0,004} μm	24,998							@1600 rpm input (dB(A))	67,0	
				Torsional stiffness (Nm/arcmin)		1	238				
				Radial stiffness (N/μm)		1	629				

Date: **23/11/2022**

Visa: **C DE MIRANDA**

Version: **A**

Product images are for illustrative purposes only.