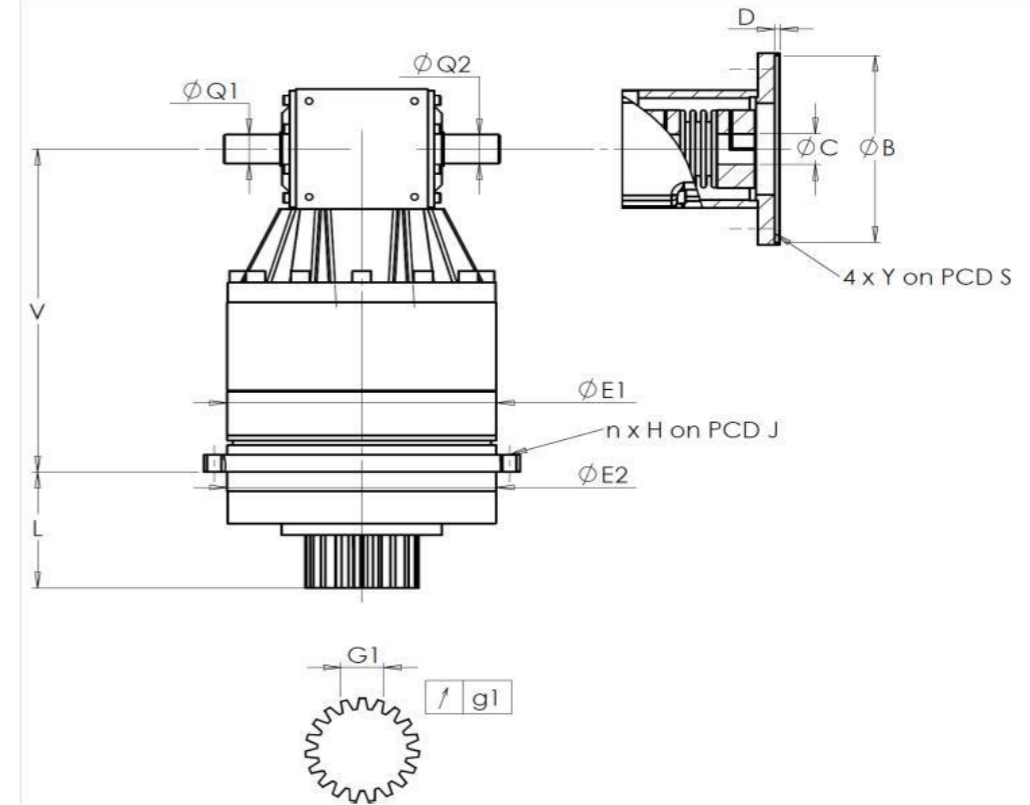


CUSTOMER: **YONG JU** CUSTOMER ORDER REF: **\*RX110316T YONGJU**  
 DISTRIBUTOR: **REDEX ORDER REF: 216232**  
 DESIGNATION: **KRP2.R1.31.4.H** SERIAL NUMBER: **907016**  
 CODE: **RX133930-12** MOTOR FLANGE CODE:

EXTERNAL DIMENSIONS & INTERFACES: SN: **907016**



For the installation, please refer to User Manual KRP (182/008)

SPECIFIC REMARKS:

General tolerance: Js13 *Cmm* Automatic / manual coordinate-measuring machine  $\mu m$  Micrometer *Cr* Calliper rule *Di* Dial indicator *Pg* Plug gauge

HOUSING				OUTPUT PINION				MOTOR FLANGE				
requirement		measure		requirement		measure		requirement		measure		
		E6151				F610				-		
E1	212h7 <sup>0</sup> <sub>-0,046</sub> $\mu m$		211,98	Span dimension over 4 teeth				Ø	B		$\mu m$	
E2	200h7 <sup>0</sup> <sub>-0,046</sub> $\mu m$		199,98	G1	44,27 <sup>0</sup> <sub>-0,03</sub> <i>Cmm</i>		44,255	Ø	C		$\mu m$	
n x H on PCD J	12 Ø9 on PCD 233	<i>Cr</i>	12 Ø9 on PCD 233	g1	0,022	<i>Di</i>	0,01	Ø	D		<i>Cr</i>	
V	289	$\mu m$	289,37	No-load input torque				Ø	S1		<i>Cr</i>	
L	94	$\mu m$	94,02	Line 1 & Nm				Ø	Y1		<i>Pg</i>	
Ø Q1	25 <sup>+0,009</sup> <sub>-0,004</sub> $\mu m$		24,996					Noise level				
Ø Q2	25 <sup>+0,009</sup> <sub>-0,004</sub> $\mu m$		24,997						Line	Stiffness	@1600 rpm input (dB(A))	69,0
				Torsional stiffness (Nm/arcmin)		1	209					
				Radial stiffness (N/ $\mu m$ )		1	645					

Date: **23/11/2022**

Visa: **C DE MIRANDA**

Version: **A**

Product images are for illustrative purposes only.