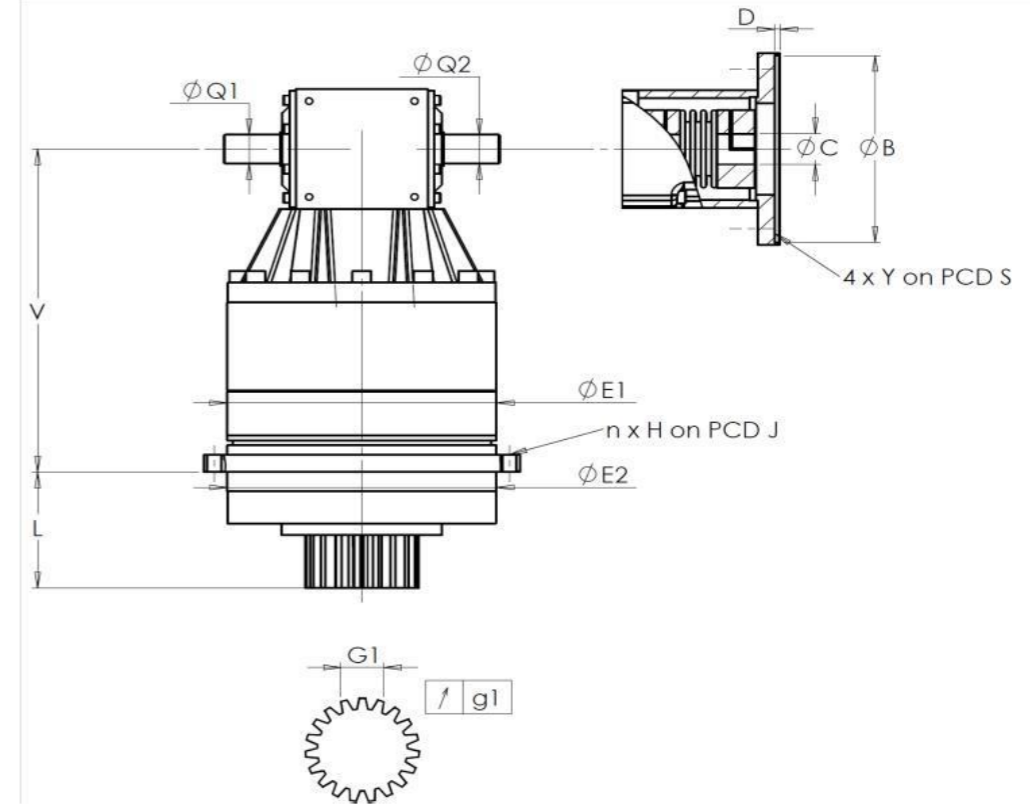


CUSTOMER: **GUDEL CHINA** CUSTOMER ORDER REF: **\*RXCN20220530047 GUDEL CHINA**  
 DISTRIBUTOR: **REDEX SHANGHAI REPAIRING** REDEX ORDER REF: **216984**  
 DESIGNATION: **KRP3+R.31.4.H** SERIAL NUMBER: **906956**  
 CODE: **RX128565-12** MOTOR FLANGE CODE:

EXTERNAL DIMENSIONS & INTERFACES: SN: **906956**



For the installation, please refer to User Manual KRP (182/008)

SPECIFIC REMARKS:

General tolerance: Js13 Cmm Automatic / manual coordinate-measuring machine µm Micrometer Cr Calliper rule Di Dial indicator Pg Plug gauge

HOUSING				OUTPUT PINION				MOTOR FLANGE				
requirement	measure	requirement	measure	requirement	measure	requirement	measure	requirement	measure	requirement	measure	
	E6139		F795									
E1	255h7 <sup>0</sup> <sub>-0,052</sub> µm	254,98	Span dimension over 3 teeth				Ø	B		µm		
E2	255h7 <sup>0</sup> <sub>-0,052</sub> µm	254,98	G1	39,25 <sup>0</sup> <sub>-0,03</sub> Cmm	39,235	Ø	C		µm			
n x H on PCD J	16 Ø13,5 on PCD 280	Cr	g1	0,022	Di	0,01	Ø	S1		Cr		
V	337	µm	No-load input torque				Ø	Y1		Cr		
L	121	µm	Line 1				1,7 Nm		Noise level			
Ø Q1	30 <sup>+0,009</sup> <sub>-0,004</sub> µm	30,001					Line		Stiffness		@1600 rpm input (dB(A))	69,0
Ø Q2	30 <sup>+0,009</sup> <sub>-0,004</sub> µm	30,005					Torsional stiffness (Nm/arcmin)		1		473,03	
							Radial stiffness (N/µm)		1		1080	

Date: **30/09/2022**

Visa: **C DE MIRANDA**

Version: **A**

Product images are for illustrative purposes only.