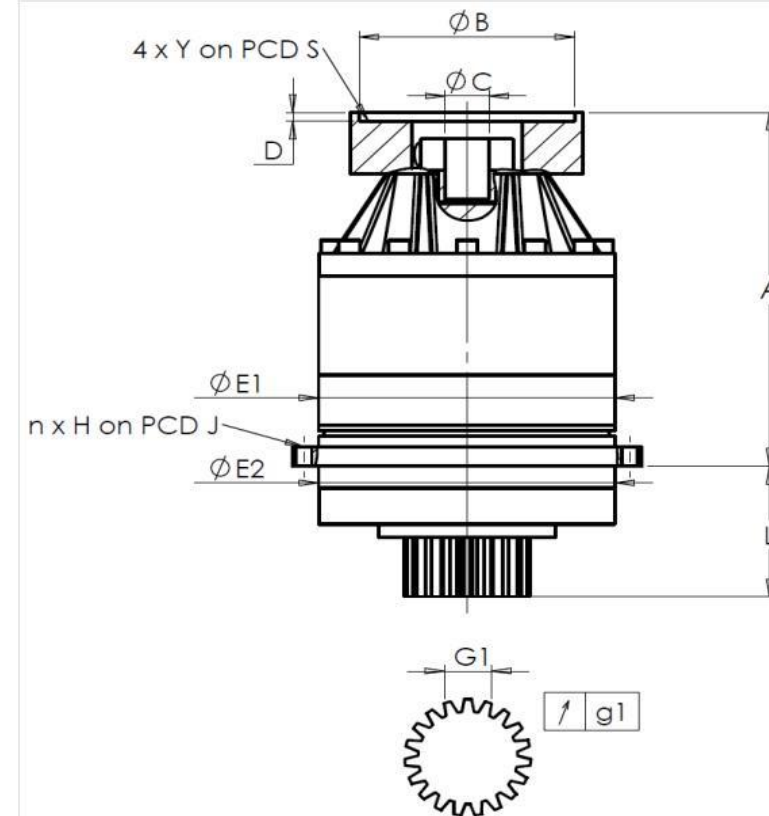


CUSTOMER: **IO GUOWEI** CUSTOMER ORDER REF: **RXCN2022042720_IO GUOWEI**
 DISTRIBUTOR: **REDEX SHANGHAI REPAIRING** REDEX ORDER REF: **216909**
 DESIGNATION: **KRP4+M.46.3.H.35/48** SERIAL NUMBER: **906859**
 CODE: **RX128414-13** MOTOR FLANGE CODE: **RX128583-01**

EXTERNAL DIMENSIONS & INTERFACES: SN: **906859**



General tolerance: Js13 Cmm Automatic / manual coordinate-measuring machine µm Micrometer Cr Calliper rule Di Dial indicator Pg Plug gauge

For the installation, please refer to User Manual KRP (182/008)

SPECIFIC REMARKS:

HOUSING				OUTPUT PINION				MOTOR FLANGE			
requirement		measure		requirement		measure		requirement		measure	
		E6465				H724					
E1	285h7 ⁰ _{-0,052} µm	284,98		Span dimension over 3 teeth				Ø B	181 µm	181,02	
E2	285h7 ⁰ _{-0,052} µm	284,98		G1	46,9 ⁰ _{-0,03} Cmm	46,885		Ø C	38 ^{+0,05} _{+0,025} µm	38,025	
n x H on PCD J	16 Ø14 on PCD 310	Cr 16 Ø14 on PCD 310		g1	0,022	Di 0,02		Ø D	8	Cr 8,51	
A	373,5 µm	374,22		No-load input torque				Ø S1	215	Cr 215	
L	141 µm	140,98		Line 1		0,8 Nm		Ø Y1	M12	Pg M12	

Noise level		
	Line	Stiffness
Torsional stiffness (Nm/arcmin)	1	574,81
Radial stiffness (N/µm)	1	1178

@1300 rpm input (dB(A)) 64,5

Date: **06/09/2022**

Visa: **C DE MIRANDA**

Version: **A**

Product images are for illustrative purposes only.