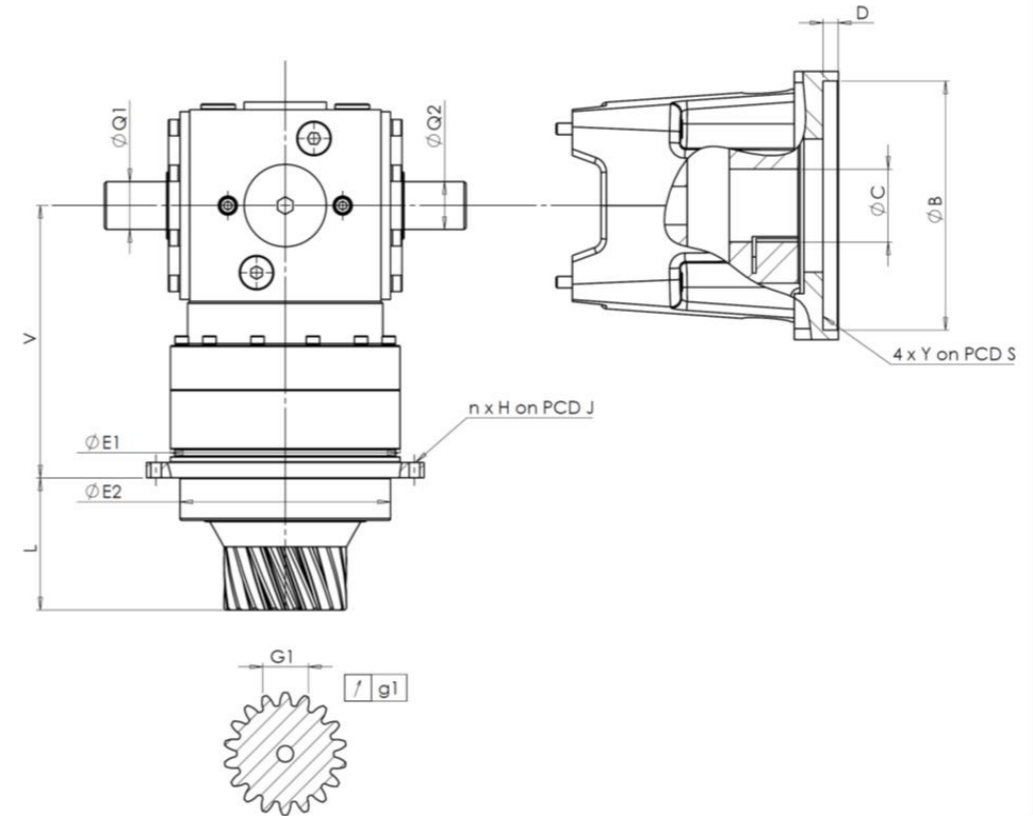


CUSTOMER: **BLANCO** CUSTOMER ORDER REF: **4501985703/32 BLANCO**
 DISTRIBUTOR: **REDEX GmbH** REDEX ORDER REF: **216922**
 DESIGNATION: **KRP0+R.10.2.183H.V1/B5** SERIAL NUMBER: **906848**
 CODE: **RX134685-03** MOTOR FLANGE CODE: **RX129506-04**

EXTERNAL DIMENSIONS & INTERFACES: SN: **906848**



For the installation, please refer to User Manual KRP (182/008)

SPECIFIC REMARKS:

General tolerance: Js13 Cmm Automatic / manual coordinate-measuring machine µm Micrometer Cr Calliper rule Di Dial indicator Pg Plug gauge

HOUSING					OUTPUT PINION				MOTOR FLANGE				
requirement		measure			requirement		measure		requirement		measure		
		L3978					L1054				F1073		
Ø	E1	120h7 ⁰ _{-0,035}	µm	119,99	Span dimension over 3 teeth				Ø	B	110 ^{+0,047} _{+0,012}	µm	110,02
Ø	E2	110h7 ⁰ _{-0,035}	µm	109,99	G1	23,278 ⁰ _{-0,023}	Cmm	23,27	Ø	C	24 ^{+0,041} _{+0,02}	µm	24,04
n x H on PCD J		8Ø5,5 on PCD 135	Cr	8Ø5,5 on PCD 135	g1	0,021	Di	0,01	Ø	D	8	Cr	8,09
V		142	µm	142,16	No-load input torque				Ø	S1	130	Cr	130,01
L		69	µm	69,27	Line 1		0,5 Nm		Ø	Y1	M8	Pg	M8
Ø	Q1	25 ^{+0,009} _{-0,004}	µm	25,009	Noise level				1600 rpm input (dB(A))		69,5		
Ø	Q2	25 ^{+0,009} _{-0,004}	µm	25,005	Torsional stiffness (Nm/arcmin)		1	40					
					Radial stiffness (N/µm)		1	160					

Date: **16/06/2022**

Visa: **C DE MIRANDA**

Version: **A**

Product images are for illustrative purposes only.