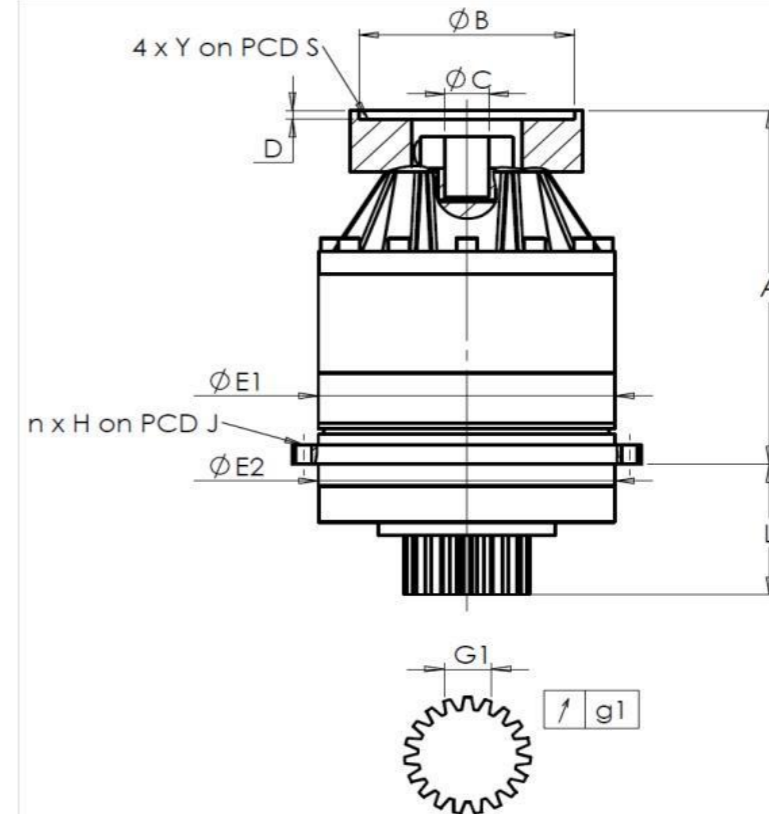


CUSTOMER: LUCAS FRANCE SAS CUSTOMER ORDER REF: *CF00030793 LUCAS
 DISTRIBUTOR: REDEX ORDER REF: 216869
 DESIGNATION: KRP2.M1.61.3.H.28/38 SERIAL NUMBER: 906821
 CODE: RX133901-32 MOTOR FLANGE CODE: RX128581-01

EXTERNAL DIMENSIONS & INTERFACES: SN: 906821



For the installation, please refer to User Manual KRP (182/008)

SPECIFIC REMARKS:

General tolerance: Js13 Cmm Automatic / manual coordinate-measuring machine µm Micrometer Cr Calliper rule Di Dial indicator Pg Plug gauge

HOUSING				OUTPUT PINION				MOTOR FLANGE			
requirement		measure		requirement		measure		requirement		measure	
		E6166				H497					
E1	212h7 ⁰ _{-0,046} µm	211,98	Span dimension over 4 teeth				Ø B	181 µm	180,96		
E2	200h7 ⁰ _{-0,046} µm	199,98	G1	44,27 ⁰ _{-0,03} Cmm	44,255	Ø C	38 ^{+0,05} _{+0,025} µm	38,04			
n x H on PCD J	12 Ø9 on PCD 233 Cr	12 Ø9 on PCD 233 Cr	g1	0,022 Di	0,01	Ø D	8 Cr	8,49	Ø S1	215 Cr	214,72
A	288 µm	288,7	No-load input torque				Ø Y1	M12 Pg	M12		
L	94 µm	94	Line 1		0,5 Nm						

		Line	Stiffness	Noise level	
				@1600 rpm input (dB(A))	60,0
Torsional stiffness (Nm/arcmin)	1	243,75			
Radial stiffness (N/µm)	1	615			

Date: 21/09/2022

Visa: C DE MIRANDA

Version: A

Product images are for illustrative purposes only.