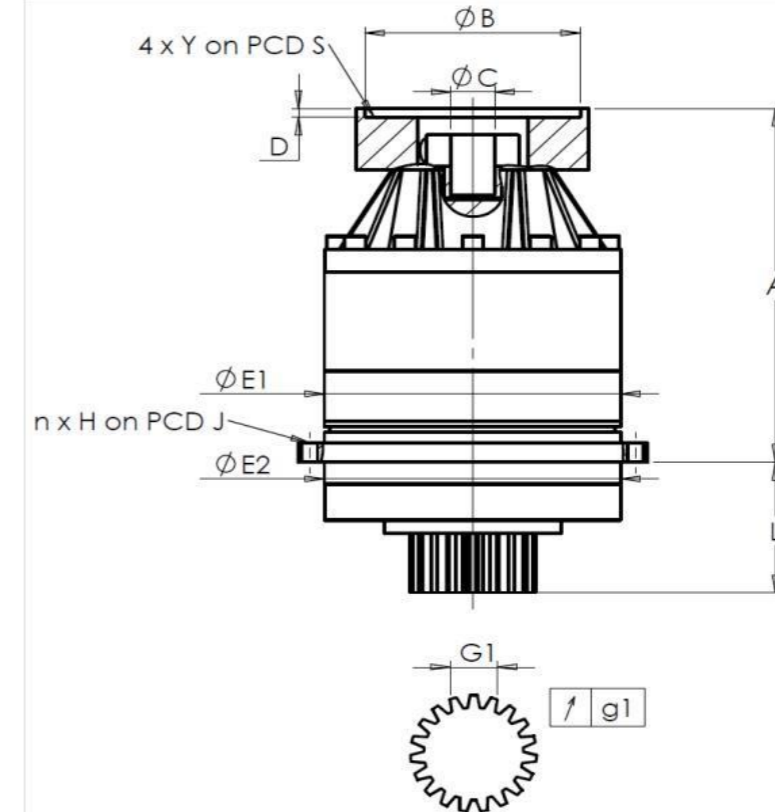


CUSTOMER: **ENTRUST MAN.TECH** CUSTOMER ORDER REF: **\*32329 ENTRUST MAN.TECH.**  
 DISTRIBUTOR: **ANDANTEX INCORPORATED** REDEX ORDER REF: **216739**  
 DESIGNATION: **KRP3+M.91.3.S.28/38** SERIAL NUMBER: **906790**  
 CODE: **RX131505-33** MOTOR FLANGE CODE: **RX128581-01**

EXTERNAL DIMENSIONS & INTERFACES: SN: **906790**



General tolerance: Js13 *Cmm* Automatic / manual coordinate-measuring machine  $\mu\text{m}$  Micrometer *Cr* Calliper rule *Di* Dial indicator *Pg* Plug gauge

For the installation, please refer to User Manual KRP (182/008)

SPECIFIC REMARKS:

HOUSING				OUTPUT PINION				MOTOR FLANGE			
requirement		measure		requirement		measure		requirement		measure	
		E6143				N600					
E1	255h7 <sup>0</sup> <sub>-0,052</sub> $\mu\text{m}$	254,99	Span dimension over 3 teeth				Ø B	181	$\mu\text{m}$	180,97	
E2	255h7 <sup>0</sup> <sub>-0,052</sub> $\mu\text{m}$	254,99	G1	39,25 <sup>0</sup> <sub>-0,03</sub> <i>Cmm</i>	39,245	Ø C	38	$\mu\text{m}$	38,03		
n x H on PCD J	16 Ø13,5 on PCD 280	<i>Cr</i> 16 Ø13,5 on PCD 280	g1	0,022	<i>Di</i> 0,015	Ø D	8	<i>Cr</i>	8,5		
A	328,5	$\mu\text{m}$ 329,29	No-load input torque				Ø S1	215	<i>Cr</i>	215,14	
L	121	$\mu\text{m}$ 121,06	Line 1		0,5 Nm		Ø Y1	M12	<i>Pg</i>	M12	

Noise level		
	Line	Stiffness
Torsional stiffness (Nm/arcmin)	1	473,03
Radial stiffness (N/ $\mu\text{m}$ )	1	868

Noise level	
@1600 rpm input (dB(A))	
	61,0

Date: **15/09/2022**

Visa: **C DE MIRANDA**

Version: **A**

Product images are for illustrative purposes only.