

CUSTOMER: KIHEUNG MACHINERY LTD. **CUSTOMER ORDER REF:** Z7297-003 KIHEUNG

DISTRIBUTOR: REDEX ORDER REF: 216617

DESIGNATION: KRPX3+M.21.3.H.28/38 **SERIAL NUMBER:** 906713

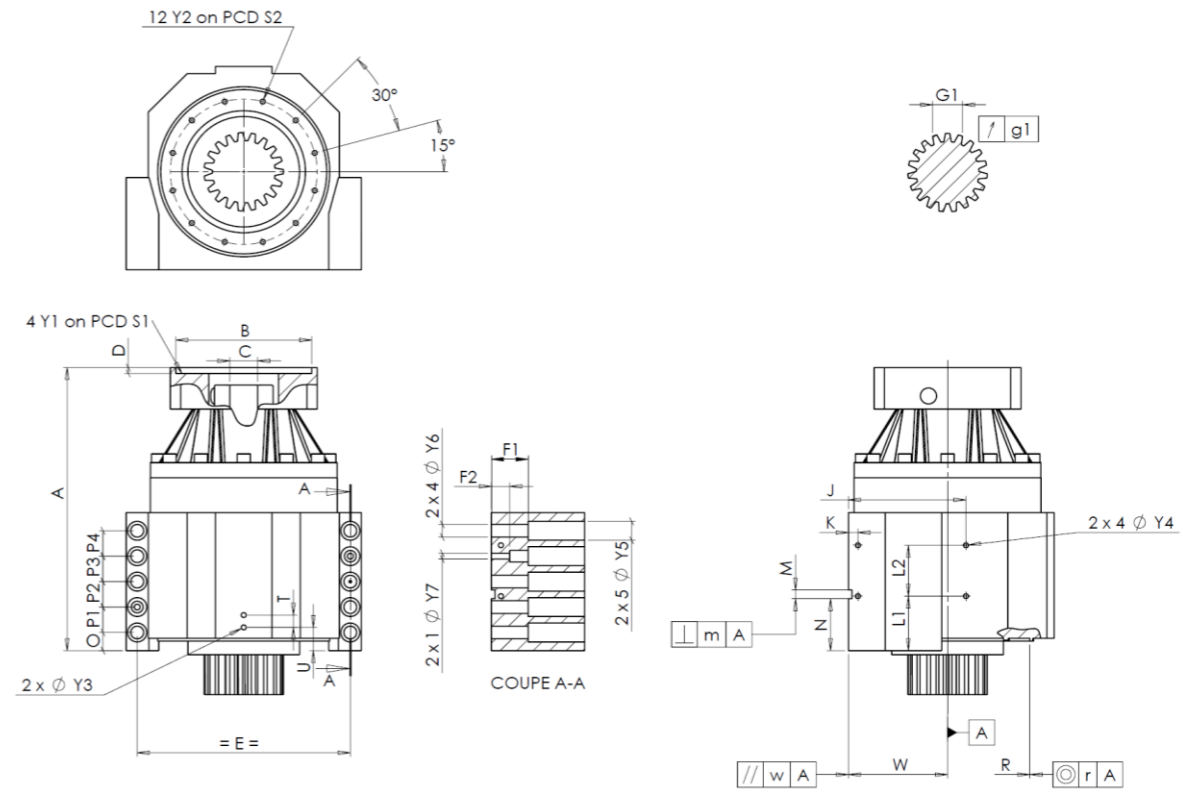
CODE: RX131507-11 **MOTOR FLANGE CODE:** RX128581-01

For the installation, please refer to User Manual KRPX (182/010)

SPECIFIC REMARKS:

Product images are for illustrative purposes only.

EXTERNAL DIMENSIONS & INTERFACES: **SN:** 906713



General tolerance: Js13 *Cmm* Automatic / manual coordinate-measuring machine μm Micrometer *Cr* Calliper rule *Di* Dial indicator *Pg* Plug gauge

HOUSING				HOUSING				MOTOR FLANGE							
requirement		measure		requirement		measure		requirement		measure					
		E8954		L1	75	<i>Cr</i>	75	Ø	B	181	μm	181			
Ø	Y2	M8x15	<i>Pg</i>	M8x15	L2	70	<i>Cr</i>	70	Ø	C	38	μm	38,05		
	A	389,5	μm	389,495	K	13	<i>Cr</i>	13		D	8	<i>Cr</i>	8,51		
	E	290	<i>Cr</i>	290	2 x 4Ø	Y4	M8x15	<i>Pg</i>	M8x15	Ø	S1	215	<i>Cr</i>	215	
	O	25	<i>Cr</i>	25		F1	50	<i>Cr</i>	50	Ø	Y1	M12	<i>Pg</i>	M12	
	P1	35	<i>Cr</i>	35		F2	25	<i>Cr</i>	25	No-load input torque					
	P2	35	<i>Cr</i>	35	2 x 1Ø	Y7	12	μm	12	Line 1		1,7 Nm			
	P3	35	<i>Cr</i>	35	2 x 4Ø	Y6	17,5	μm	17,5	Line Stiffness					
	P4	35	<i>Cr</i>	35	2 x 5Ø	Y5	26	μm	26	Torsional stiffness (Nm/arcmin)		1	473,03		
	T	17	<i>Cr</i>	17		M H6	12	$\frac{+0,011}{0}$	<i>Cmm</i>	12,004	Radial stiffness (N/ μm)		1	940	
	U	32	<i>Cr</i>	32	\perp	m	0,05	<i>Cmm</i>	0,009						
2 x 1Ø	Y3	M8x15	<i>Pg</i>	M8x15		N	71,5	$\frac{+0,1}{-0,1}$	<i>Cmm</i>	71,491					
	R	226	$\frac{+0,2}{+0,1}$	<i>Cmm</i>	226,14	A	W	135	$\frac{+0,035}{-0,035}$	<i>Cmm</i>	135,014				
\odot	r	0,1	<i>Cmm</i>	0,01	//	w	0,03	/A	<i>Cmm</i>	0,009					

OUTPUT PINION				Noise level	
		F893		@1600 rpm input (dB(A))	61,5
Span dimension over 3 teeth					
	G1	39,25	$\frac{0}{-0,03}$	<i>Cmm</i>	39,235
\nearrow	g1	0,022		<i>Di</i>	0,02

Date: 05/08/2022 **Version:** A

Visa: P VASLIER