

CUSTOMER: **KIHEUNG MACHINERY LTD.** **CUSTOMER ORDER REF:** **Z7297-003 KIHEUNG**

DISTRIBUTOR: **REDEX ORDER REF:** **216617**

DESIGNATION: **KRPX3+M.21.3.H.28/38** **SERIAL NUMBER:** **906712**

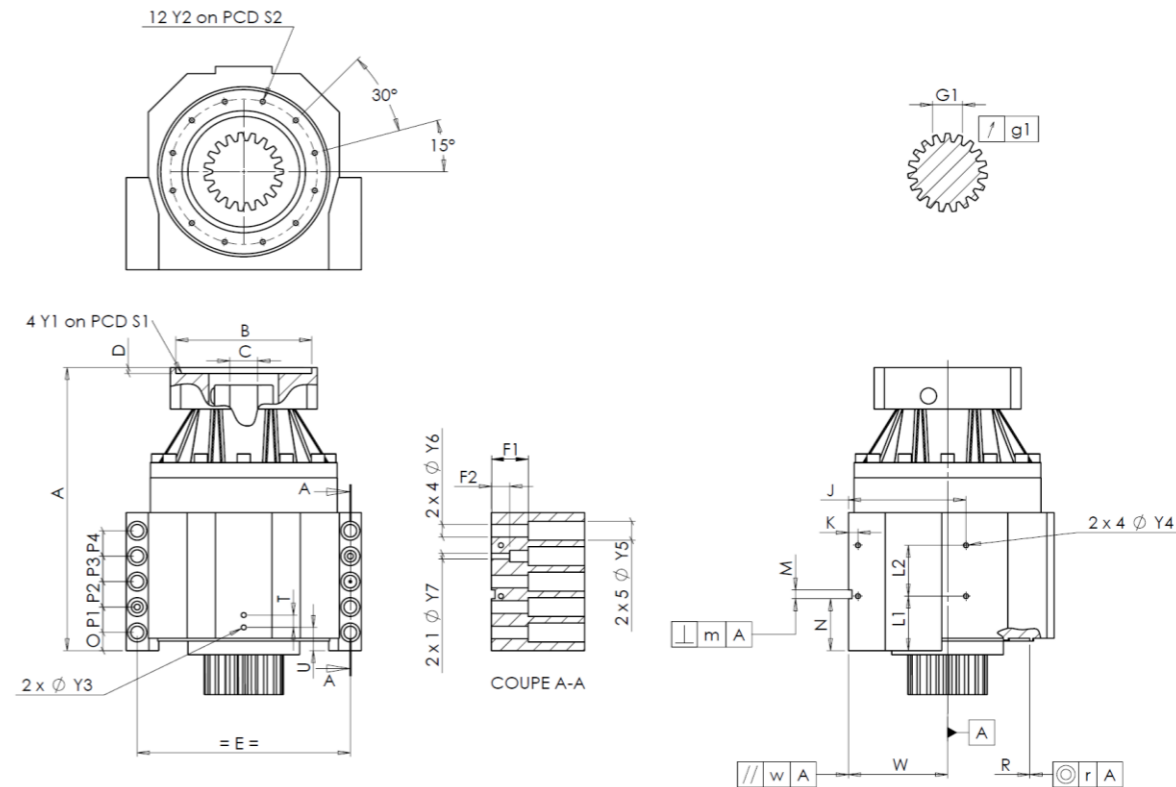
CODE: **RX131507-11** **MOTOR FLANGE CODE:** **RX128581-01**

For the installation, please refer to User Manual KRPX (182/010)

SPECIFIC REMARKS:

Product images are for illustrative purposes only.

EXTERNAL DIMENSIONS & INTERFACES: **SN:** **906712**



General tolerance: Js13 Cmm Automatic / manual coordinate-measuring machine µm Micrometer Cr Calliper rule Di Dial indicator Pg Plug gauge

HOUSING				HOUSING				MOTOR FLANGE							
requirement		measure		requirement		measure		requirement		measure					
		E6175		L1	75	Cr	75	∅	B	181	µm	181			
∅	Y2	M8x15	Pg	M8x15	L2	70	Cr	70	∅	C	38	+0,05 +0,025	µm	38,05	
	A	389,5	µm	389,495	K	13	Cr	13		D	8	Cr	8,5		
	E	290	Cr	290	2 x 4∅	Y4	M8x15	Pg	M8x15	∅	S1	215	Cr	215	
	O	25	Cr	25		F1	50	Cr	50	∅	Y1	M12	Pg	M12	
	P1	35	Cr	35		F2	25	Cr	25	No-load input torque					
	P2	35	Cr	35	2 x 1∅	Y7	12	µm	12	Line 1		1,5 Nm			
	P3	35	Cr	35	2 x 4∅	Y6	17,5	µm	17,5	Line Stiffness					
	P4	35	Cr	35	2 x 5∅	Y5	26	µm	26	Torsional stiffness (Nm/arcmin)		1	473,03		
	T	17	Cr	17		M H6	12	+0,011 0	Cmm	12,004	Radial stiffness (N/µm)		1	1026	
	U	32	Cr	32	⊥	m	0,05	Cmm	0,04						
2 x 1∅	Y3	M8x15	Pg	M8x15		N	71,5	+0,1 -0,1	Cmm	71,523					
	R	226	+0,2 +0,1	Cmm	226,136	A	W	135	+0,035 -0,035	Cmm	135,022				
⊙	r	0,1	Cmm	0,007	//	w	0,03	/A	Cmm	0,001					

OUTPUT PINION				Noise level	
		F885		@1600 rpm input (dB(A))	63,5
Span dimension over 3 teeth					
	G1	39,25	0 -0,03	Cmm	39,235
↗	g1	0,022		Di	0,015

Date: 05/08/2022

Visa: P VASLIER

Version: A