

**CUSTOMER:** **KIHEUNG MACHINERY LTD.**      **CUSTOMER ORDER REF:** **Z7297-003 KIHEUNG**

**DISTRIBUTOR:**      **REDEX ORDER REF:** **216617**

**DESIGNATION:** **KRPX3+M.21.3.H.28/38**      **SERIAL NUMBER:** **906711**

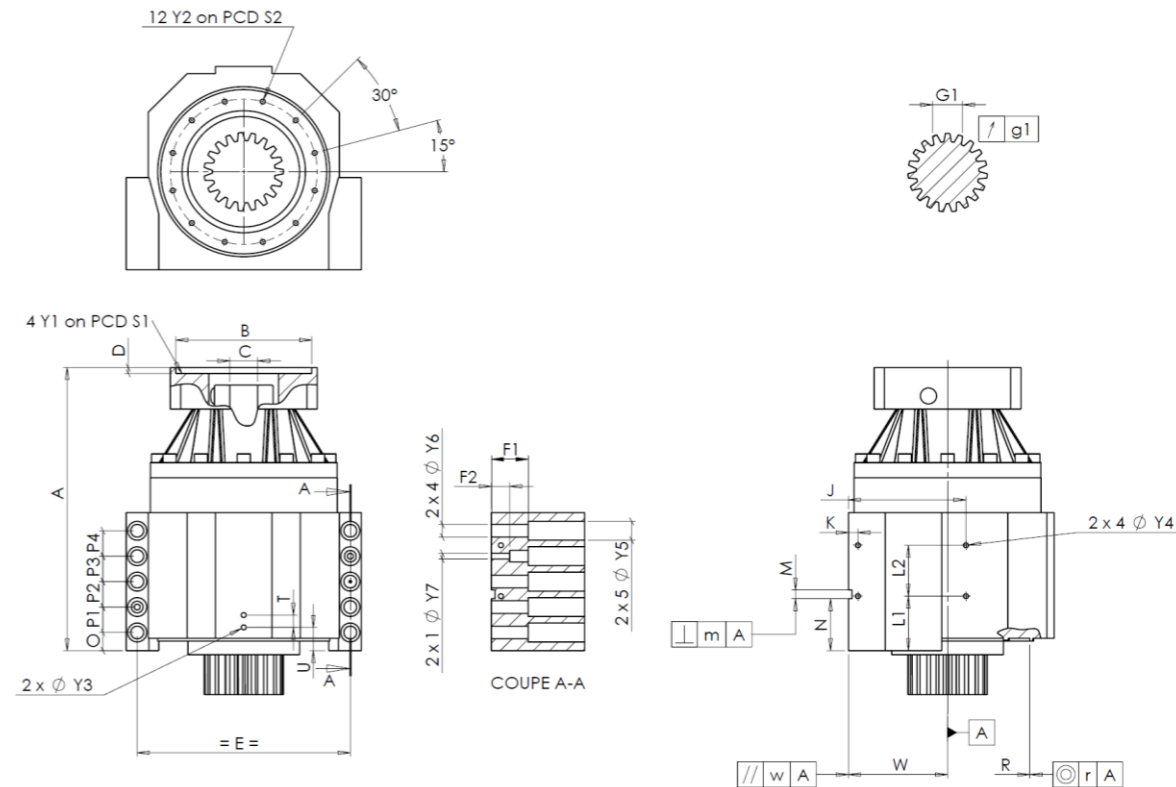
**CODE:** **RX131507-11**      **MOTOR FLANGE CODE:** **RX128581-01**

For the installation, please refer to User Manual KRPX (182/010)

**SPECIFIC REMARKS:**

Product images are for illustrative purposes only.

**EXTERNAL DIMENSIONS & INTERFACES:**      **SN:** **906711**



General tolerance: Js13      Cmm      Automatic / manual coordinate-measuring machine      µm      Micrometer      Cr      Calliper rule      Di      Dial indicator      Pg      Plug gauge

HOUSING				HOUSING				MOTOR FLANGE						
requirement		measure		requirement		measure		requirement		measure				
		F3628		L1	75	Cr	75	Ø	B	181	µm	181		
Ø	Y2	M8x15	Pg	M8x15	L2	70	Cr	70	Ø	C	38	+0,05 +0,025	µm	38,05
	A	389,5	µm	389,495	J	160	Cr	160		D	8	Cr	8,5	
	E	290	Cr	290	K	13	Cr	13	Ø	S1	215	Cr	215	
	O	25	Cr	25	2 x 4Ø	Y4	M8x15	Pg	M8x15	Ø	Y1	M12	Pg	M12
	P1	35	Cr	35	F1	50	Cr	50	<b>No-load input torque</b>					
	P2	35	Cr	35	F2	25	Cr	25					Line 1	
	P3	35	Cr	35	2 x 1Ø	Y7	12	µm	12	<b>Line</b> <b>Stiffness</b>				
	P4	35	Cr	35	2 x 4Ø	Y6	17,5	µm	17,5					Torsional stiffness (Nm/arcmin)
	T	17	Cr	17	2 x 5Ø	Y5	26	µm	26	Radial stiffness (N/µm)		1      1076		
2 x 1Ø	Y3	M8x15	Pg	M8x15	M H6	12	+0,011 0	Cmm	12,004					
	U	32	Cr	32	⊥	m	0,05	Cmm	0,017					
⊙	R	226	+0,2 +0,1	Cmm	226,14	A								
	r	0,1	Cmm	0,018	//	w	0,03	/A	Cmm	0,01				

OUTPUT PINION				Noise level	
		F890		@1600 rpm input (dB(A))	63,0
Span dimension over 3 teeth					
	G1	39,25	0 -0,03	Cmm	39,235
↗	g1	0,022		Di	0,02

**Date:** 05/08/2022

**Visa:** P VASLIER

**Version:** A