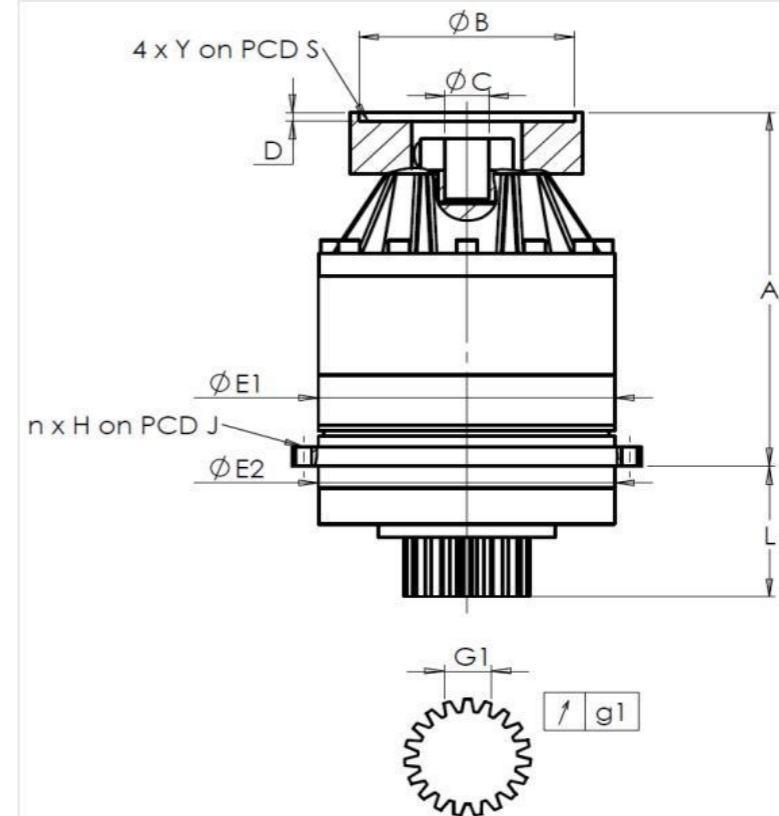


CUSTOMER: **MECOF** CUSTOMER ORDER REF: **\*95 MECOF**  
 DISTRIBUTOR: **ANDANTEX S.r.l** REDEX ORDER REF: **216744**  
 DESIGNATION: **KRP2.M2.21.3.184H.38** SERIAL NUMBER: **906699**  
 CODE: **RX135439-11** MOTOR FLANGE CODE: **RX134968-01**

EXTERNAL DIMENSIONS & INTERFACES: SN: **906699**



General tolerance: Js13 Cmm Automatic / manual coordinate-measuring machine µm Micrometer Cr Calliper rule Di Dial indicator Pg Plug gauge

For the installation, please refer to User Manual KRP (182/008)

SPECIFIC REMARKS:

HOUSING				OUTPUT PINION				MOTOR FLANGE			
requirement		measure		requirement		measure		requirement		measure	
		C5244				H1552					
E1	212h7 <sup>0</sup> <sub>-0,046</sub> µm	211,98	Span dimension over 4 teeth				Ø B	180 <sup>0,025</sup> <sub>0</sub> µm	180		
E2	200h7 <sup>0</sup> <sub>-0,046</sub> µm	199,98	G1	44,27 <sup>0</sup> <sub>-0,03</sub> Cmm	44,25	Ø C	38F7 <sup>0,05</sup> <sub>0,025</sub> µm	38,03			
n x H on PCD J	12 Ø9 on PCD 233	12 Ø9 on PCD 233	g1	0,022	Di	0,015	D	8	Cr	8	
A	226,5 µm	227,18	No-load input torque				Ø S1	215	Cr	215	
L	94 µm	94,07	Line 1		0,3 Nm		Ø Y1	M12	Pg	M12	

		Line	Stiffness	Noise level	
				@1600 rpm input (dB(A))	64,5
Torsional stiffness (Nm/arcmin)	1	243,75			
Radial stiffness (N/µm)	1	562			

Date: **04/08/2022**

Visa: **P VASLIER**

Version: **A**

Product images are for illustrative purposes only.