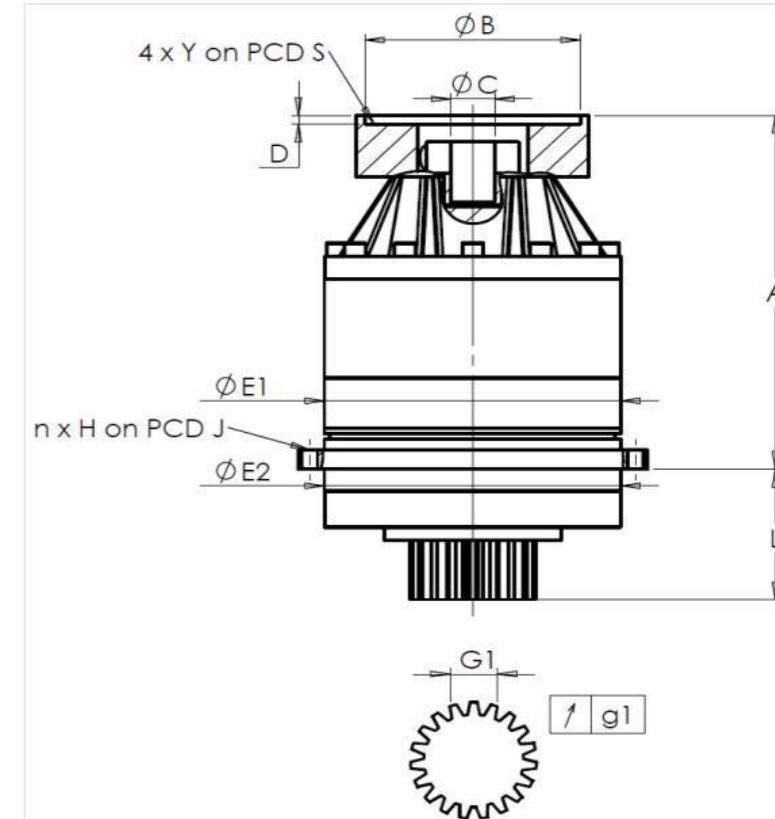


CUSTOMER: **MECOF** CUSTOMER ORDER REF: ***95 MECOF**
 DISTRIBUTOR: **ANDANTEX S.r.l** REDEX ORDER REF: **216744**
 DESIGNATION: **KRP2.M2.21.3.184H.38** SERIAL NUMBER: **906694**
 CODE: **RX135439-11** MOTOR FLANGE CODE: **RX134968-01**

EXTERNAL DIMENSIONS & INTERFACES: SN: **906694**



General tolerance: Js13 Cmm Automatic / manual coordinate-measuring machine µm Micrometer Cr Calliper rule Di Dial indicator Pg Plug gauge

For the installation, please refer to User Manual KRP (182/008)

SPECIFIC REMARKS:

HOUSING				OUTPUT PINION				MOTOR FLANGE			
requirement		measure		requirement		measure		requirement		measure	
		C5237				H1559					
E1	212h7 ⁰ _{-0,046} µm		211,985	Span dimension over 4 teeth				Ø B	180 ^{0,025} ₀ µm		180,015
E2	200h7 ⁰ _{-0,046} µm		199,985	G1	44,27 ⁰ _{-0,03} Cmm		44,245	Ø C	38F7 ^{0,05} _{0,025} µm		38,04
n x H on PCD J	12 Ø9 on PCD 233	Cr	12 Ø9 on PCD 233	g1	0,022	Di	0,01	Ø D	8	Cr	8,02
A	226,5	µm	227,13	No-load input torque				Ø S1	215	Cr	215
L	94	µm	94,16	Line 1		0,4 Nm		Ø Y1	M12	Pg	M12

Noise level			
	Line	Stiffness	@1600 rpm input (dB(A))
Torsional stiffness (Nm/arcmin)	1	332	62,0
Radial stiffness (N/µm)	1	629	

Date: **05/08/2022**

Visa: **P VASLIER**

Version: **A**

Product images are for illustrative purposes only.