

CUSTOMER: **TENOVA** CUSTOMER ORDER REF: ***88 TENOVA**

DISTRIBUTOR: **ANDANTEX S.r.l** REDEX ORDER REF: **216743**

DESIGNATION: **KRPX1+M.31.3.S.22/32** SERIAL NUMBER: **906692**

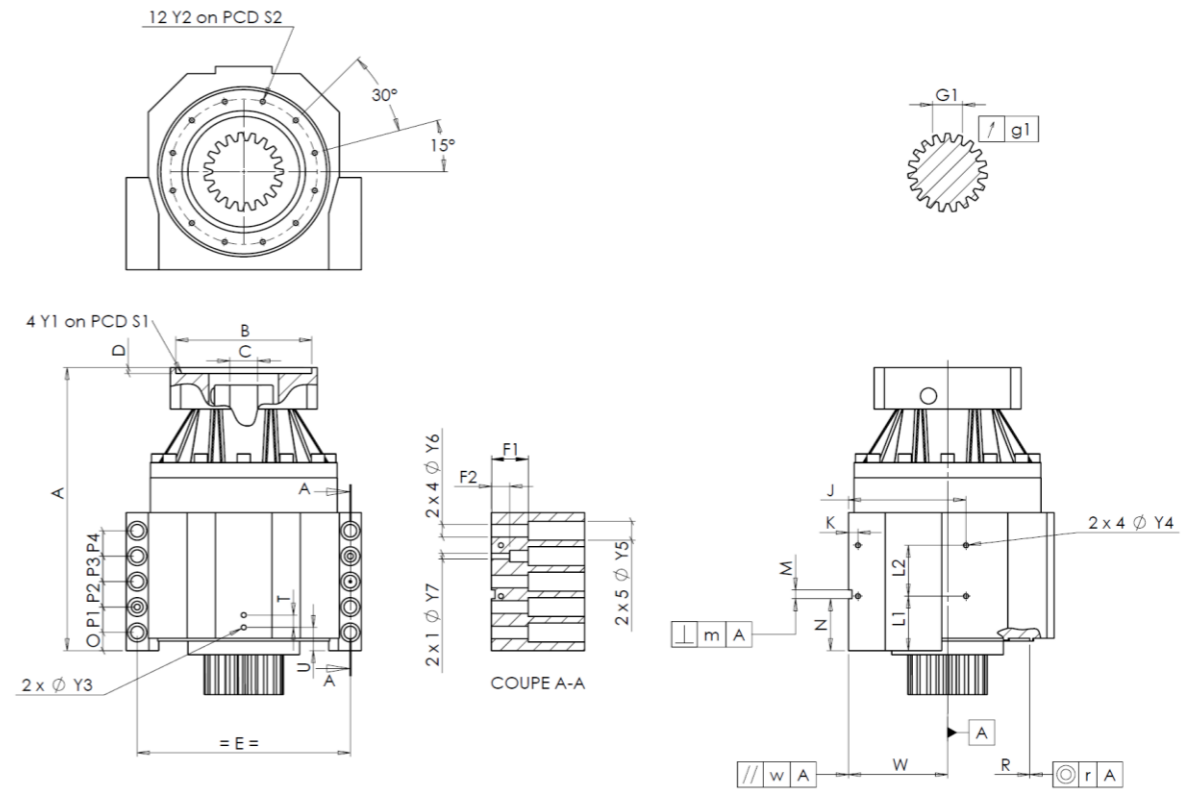
CODE: **RX132669-12** MOTOR FLANGE CODE: **RX128707-05**

For the installation, please refer to User Manual KRPX (182/010)

SPECIFIC REMARKS:

Product images are for illustrative purposes only.

EXTERNAL DIMENSIONS & INTERFACES: SN: **906692**



General tolerance: Js13 Cmm Automatic / manual coordinate-measuring machine µm Micrometer Cr Calliper rule Di Dial indicator Pg Plug gauge

HOUSING				HOUSING				MOTOR FLANGE								
requirement		measure		requirement		measure		requirement		measure						
			F5606	L1	51	Cr	51	Ø	B	131	µm	131				
Ø	Y2	M6x12	Pg	M6x12	L2	48	Cr	48	Ø	C	32	+0,05 +0,025	µm	32,05		
	A	253	µm	253,41	J	105	Cr	105		D	8	Cr	8,4			
	E	175	Cr	175	K	11	Cr	11	Ø	S1	165	Cr	165			
	O	15	Cr	15	F1	40	Cr	40	Ø	Y1	M10	Pg	M10			
	P1	24	Cr	24	F2	24	Cr	24	No-load input torque Line 1 0,2 Nm							
	P2	24	Cr	24	2 x 1Ø	Y7	10	µm					10			
	P3	24	Cr	24	2 x 4Ø	Y6	11	µm	11	Line Stiffness						
	P4	24	Cr	24	2 x 5Ø	Y5	18	µm	18							
	T	14	Cr	14	M H6	8	+0,009 0	Cmm	8,002	Torsional stiffness (Nm/arcmin)		1	81,39			
	U	26	Cr	26	⊥	m	0,05	Cmm	0,01			Radial stiffness (N/µm)		1	361	
2 x 1Ø	Y3	M6x12	Pg	M6x12	N	47	+0,1 -0,1	Cmm	47,01							
	R	135	+0,2 +0,1	Cmm	135,142	A		W	80	+0,02 -0,02	Cmm	80,02				
⊙	r	0,1	Cmm	0,015	//	w	0,03	/A	Cmm	0,008						

OUTPUT PINION				Noise level	
			K127	@1600 rpm input (dB(A))	61,5
Span dimension over 3 teeth					
	G1	23,28	0 -0,03	Cmm	23,265
↗	g1	0,021		Di	0,01

Date: **14/09/2022**

Version: **A**

Visa: **P VASLIER**

