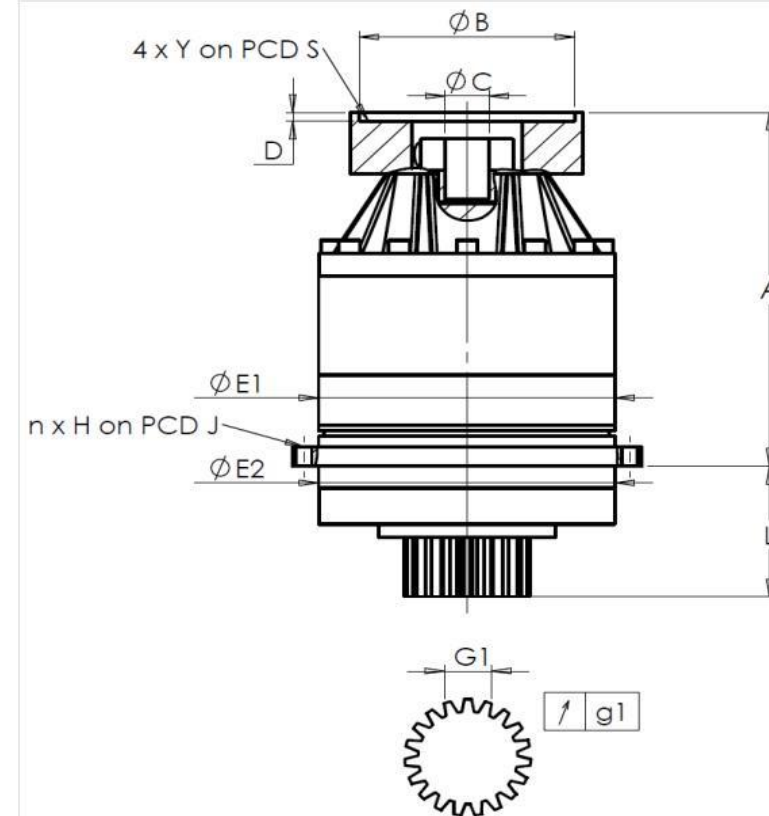


CUSTOMER: **PAMA** CUSTOMER ORDER REF: **\*646 PAMA**  
 DISTRIBUTOR: **ANDANTEX S.r.l** REDEX ORDER REF: **216354**  
 DESIGNATION: **KRP2.M1.31.3.H.28/38** SERIAL NUMBER: **906691**  
 CODE: **RX133901-12** MOTOR FLANGE CODE: **RX128581-01**

EXTERNAL DIMENSIONS & INTERFACES: SN: **906691**



For the installation, please refer to User Manual KRP (182/008)

SPECIFIC REMARKS:

General tolerance: Js13 Cmm Automatic / manual coordinate-measuring machine µm Micrometer Cr Calliper rule Di Dial indicator Pg Plug gauge

HOUSING				OUTPUT PINION				MOTOR FLANGE			
requirement		measure		requirement		measure		requirement		measure	
		E4408				F646					
E1	212h7 <sup>0</sup> <sub>-0,046</sub> µm		211,99	Span dimension over 4 teeth				Ø B	181 µm		181
E2	200h7 <sup>0</sup> <sub>-0,046</sub> µm		199,98	G1	44,27 <sup>0</sup> <sub>-0,03</sub> Cmm		44,25	Ø C	38 <sup>+0,05</sup> <sub>+0,025</sub> µm		38,04
n x H on PCD J	12 Ø9 on PCD 233	Cr	12 Ø9 on PCD 233	g1	0,022	Di	0,01	Ø D	8	Cr	8,51
A	288 µm		288,79	No-load input torque				Ø S1	215	Cr	215
L	94 µm		93,9	Line 1		0,7 Nm		Ø Y1	M12	Pg	M12

			Noise level	
			@1600 rpm input (dB(A))	63,0
Torsional stiffness (Nm/arcmin)	1	243,75		
Radial stiffness (N/µm)	1	640		

Date: **30/08/2022**

Visa: **C DE MIRANDA**

Version: **A**

Product images are for illustrative purposes only.



1, Rue Paul De Fontenay  
 F- 45210 FERRIERES  
 www.redex-group.com

Tel: +33 2 38 94 42 00  
 Fax: +33 2 38 94 42 99  
 Email: info@redex-group.com



1, Rue Paul De Fontenay  
 F- 45210 FERRIERES  
 www.redex-group.com

Tel: +33 2 38 94 42 00  
 Fax: +33 2 38 94 42 99  
 Email: info@redex-group.com