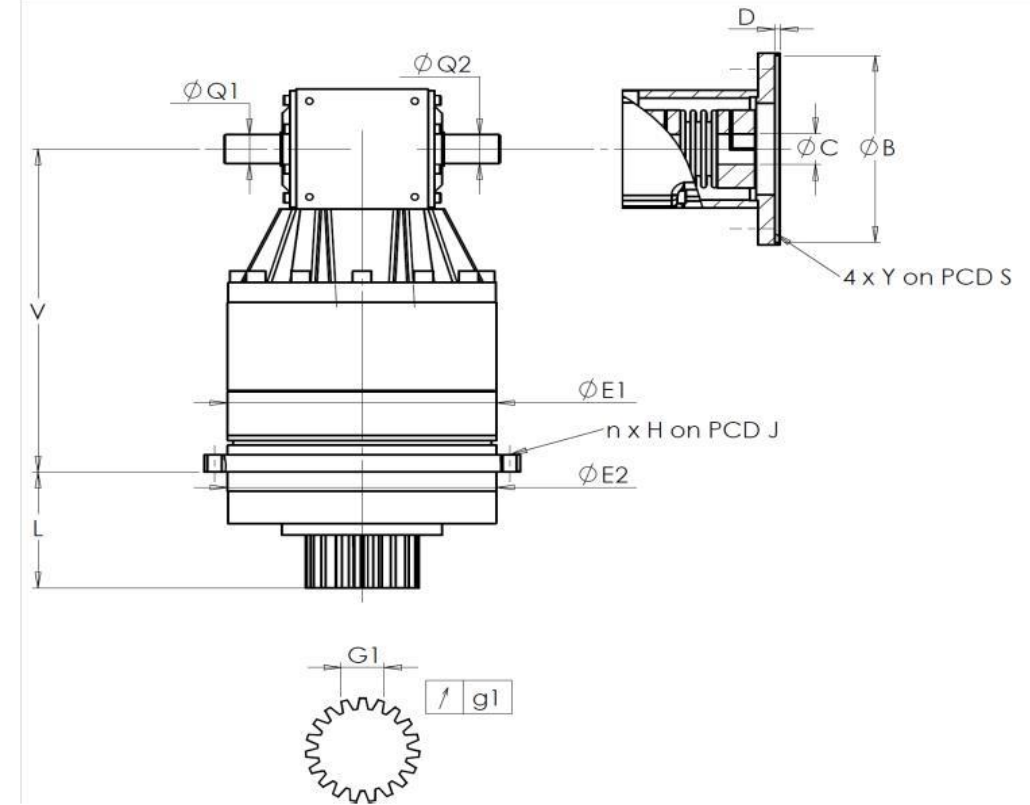


CUSTOMER: **NICOLAS CORREA** CUSTOMER ORDER REF: **\*170496 NICOLAS CORREA**  
 DISTRIBUTOR: **REDEX ORDER REF: 216764**  
 DESIGNATION: **KRP2.R1.31.4.H** SERIAL NUMBER: **906650**  
 CODE: **RX133930-12** MOTOR FLANGE CODE:

EXTERNAL DIMENSIONS & INTERFACES: SN: **906650**



For the installation, please refer to User Manual KRP (182/008)

SPECIFIC REMARKS:

General tolerance: Js13 Cmm Automatic / manual coordinate-measuring machine μm Micrometer Cr Calliper rule Di Dial indicator Pg Plug gauge

HOUSING				OUTPUT PINION				MOTOR FLANGE			
requirement		measure		requirement		measure		requirement		measure	
		E4402				H492				-	
E1	212h7 <sup>0</sup> <sub>-0,046</sub> μm	211,98	Span dimension over 4 teeth				∅	B		μm	
E2	200h7 <sup>0</sup> <sub>-0,046</sub> μm	199,98	G1	44,27 <sup>0</sup> <sub>-0,03</sub> Cmm	44,255	∅	C		μm		
n x H on PCD J	12 ∅9 on PCD 233 Cr	12 ∅9 on PCD 233 Cr	g1	0,022 Di	0,005	∅	D		Cr		
V	289 μm	289,43	No-load input torque				∅	S1		Cr	
L	94 μm	93,91	Line 1		0,9 Nm	∅	Y1		Pg		
∅ Q1	25 <sup>+0,009</sup> <sub>-0,004</sub> μm	24,998	Noise level						@1600 rpm input (dB(A))	67,5	
∅ Q2	25 <sup>+0,009</sup> <sub>-0,004</sub> μm	25,004	Torsional stiffness (Nm/arcmin)		1	243,75					
			Radial stiffness (N/μm)		1	651					

Date: **01/09/2022**

Visa: **C DE MIRANDA**

Version: **A**

Product images are for illustrative purposes only.