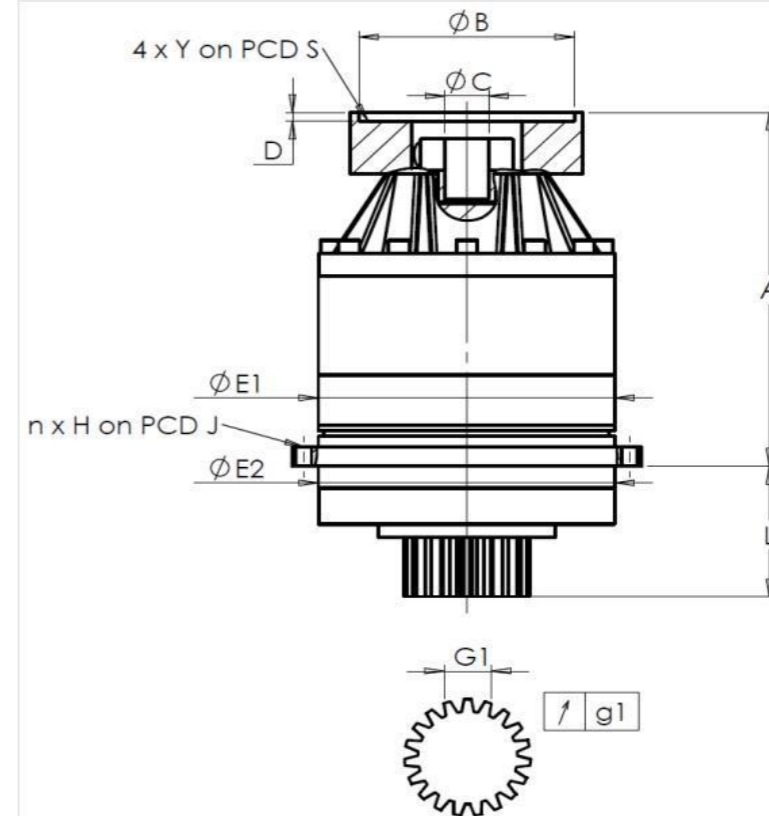


CUSTOMER: **FPT** CUSTOMER ORDER REF: **785 FPT**  
 DISTRIBUTOR: **ANDANTEX S.r.l** REDEX ORDER REF: **216508**  
 DESIGNATION: **KRP2.M1.21.3.H.28/38** SERIAL NUMBER: **906581**  
 CODE: **RX133901-11** MOTOR FLANGE CODE: **RX133903-01**

EXTERNAL DIMENSIONS & INTERFACES: SN: **906581**



General tolerance: Js13 Cmm Automatic / manual coordinate-measuring machine µm Micrometer Cr Calliper rule Di Dial indicator Pg Plug gauge

For the installation, please refer to User Manual KRP (182/008)

SPECIFIC REMARKS:

HOUSING				OUTPUT PINION				MOTOR FLANGE			
requirement		measure		requirement		measure		requirement		measure	
		E4401				F648				E9196	
E1	212h7 <sup>0</sup> <sub>-0,046</sub> µm		211,99	Span dimension over 4 teeth				Ø B	180H6 <sup>+0,025</sup> <sub>0</sub> µm		180,015
E2	200h7 <sup>0</sup> <sub>-0,046</sub> µm		200	G1	44,27 <sup>0</sup> <sub>-0,03</sub> Cmm		44,26	Ø C	38F7 <sup>+0,050</sup> <sub>+0,025</sub> µm		38,03
n x H on PCD J	12 Ø9 on PCD 233	Cr	12 Ø9 on PCD 233	g1	0,022	Di	0,01	D	8	Cr	8
A	288	µm	288,77	No-load input torque				Ø S1	215	Cr	215
L	94	µm	93,93	Line 1		0,7 Nm		Ø Y1	M12	Pg	M12

Noise level			
	Line	Stiffness	@1600 rpm input (dB(A))
Torsional stiffness (Nm/arcmin)	1	243,75	69,0
Radial stiffness (N/µm)	1	609	

Date: **29/08/2022**

Visa: **C DE MIRANDA**

Version: **A**

Product images are for illustrative purposes only.