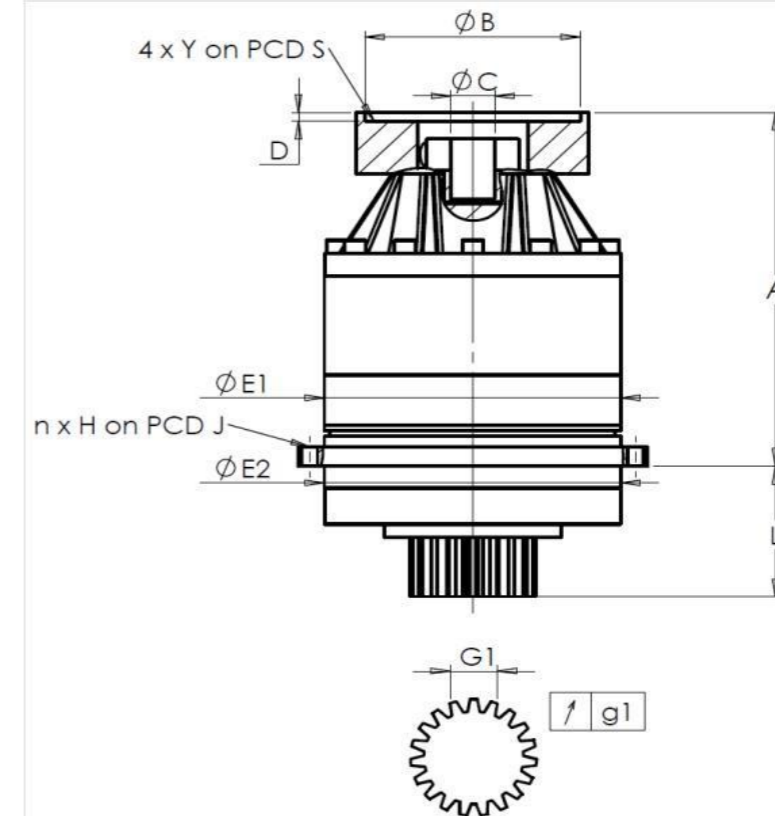


CUSTOMER: **FPT** CUSTOMER ORDER REF: **785 FPT**  
 DISTRIBUTOR: **ANDANTEX S.r.l** REDEX ORDER REF: **216508**  
 DESIGNATION: **KRP2.M1.21.3.H.28/38** SERIAL NUMBER: **906579**  
 CODE: **RX133901-11** MOTOR FLANGE CODE: **RX133903-01**

EXTERNAL DIMENSIONS & INTERFACES: SN: **906579**



General tolerance: Js13 *Cmm* Automatic / manual coordinate-measuring machine  $\mu m$  Micrometer *Cr* Calliper rule *Di* Dial indicator *Pg* Plug gauge

For the installation, please refer to User Manual KRP (182/008)

SPECIFIC REMARKS:

HOUSING				OUTPUT PINION				MOTOR FLANGE			
requirement		measure		requirement		measure		requirement		measure	
		E4407				F662				E7767	
E1	212h7 <sup>0</sup> <sub>-0,046</sub> $\mu m$	211,99	Span dimension over 4 teeth				Ø B	180H6 <sup>+0,025</sup> <sub>0</sub> $\mu m$	180,02		
E2	200h7 <sup>0</sup> <sub>-0,046</sub> $\mu m$	199,99	G1	44,27 <sup>0</sup> <sub>-0,03</sub> <i>Cmm</i>	44,255	Ø C	38F7 <sup>+0,050</sup> <sub>+0,025</sub> $\mu m$	38,03			
n x H on PCD J	12 Ø9 on PCD 233	<i>Cr</i> 12 Ø9 on PCD 233	g1	0,022	<i>Di</i> 0,005	Ø D	8	<i>Cr</i> 8			
A	288	$\mu m$ 288,84	No-load input torque				Ø S1	215	<i>Cr</i> 215		
L	94	$\mu m$ 93,95	Line 1		0,7 Nm		Ø Y1	M12	<i>Pg</i> M12		

Noise level			
	Line	Stiffness	@1600 rpm input (dB(A))
Torsional stiffness (Nm/arcmin)	1	243,75	64,5
Radial stiffness (N/ $\mu m$ )	1	648	

Date: **29/08/2022**

Visa: **C DE MIRANDA**

Version: **A**

Product images are for illustrative purposes only.