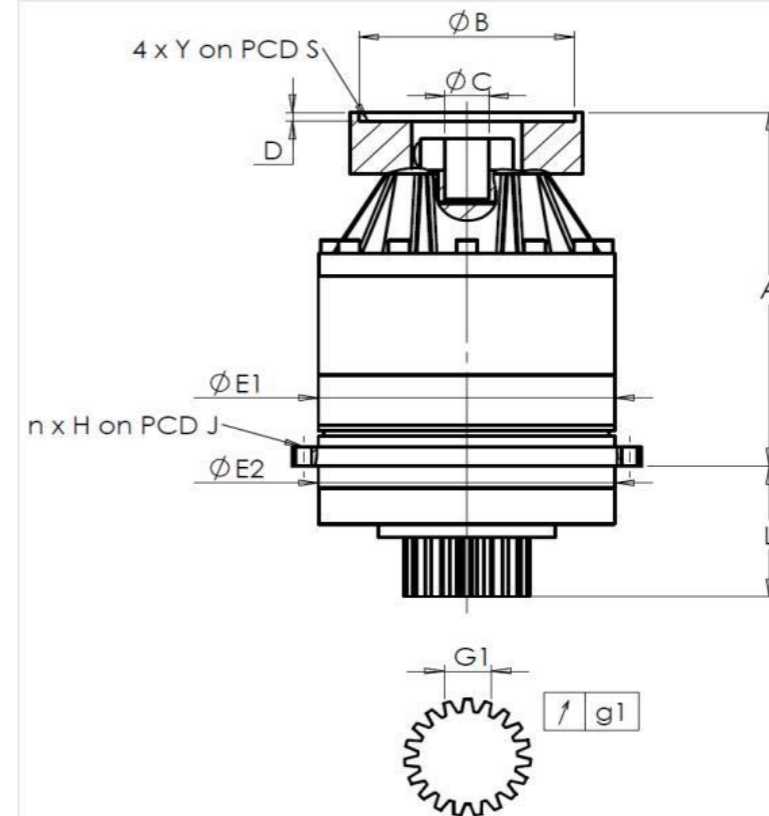


CUSTOMER: **FPT** CUSTOMER ORDER REF: **785 FPT**  
 DISTRIBUTOR: **ANDANTEX S.r.l** REDEX ORDER REF: **216508**  
 DESIGNATION: **KRP2.M1.21.3.H.28/38** SERIAL NUMBER: **906577**  
 CODE: **RX133901-11** MOTOR FLANGE CODE: **RX133903-01**

EXTERNAL DIMENSIONS & INTERFACES: SN: **906577**



General tolerance: Js13 *Cmm* Automatic / manual coordinate-measuring machine  $\mu m$  Micrometer *Cr* Calliper rule *Di* Dial indicator *Pg* Plug gauge

For the installation, please refer to User Manual KRP (182/008)

SPECIFIC REMARKS:

HOUSING				OUTPUT PINION				MOTOR FLANGE			
requirement		measure		requirement		measure		requirement		measure	
		E4395				F666					
E1	212h7 <sup>0</sup> <sub>-0,046</sub> $\mu m$		211,97	Span dimension over 4 teeth				Ø B	180H6 <sup>+0,025</sup> <sub>0</sub> $\mu m$		180,025
E2	200h7 <sup>0</sup> <sub>-0,046</sub> $\mu m$		199,98	G1	44,27 <sup>0</sup> <sub>-0,03</sub> <i>Cmm</i>		44,25	Ø C	38F7 <sup>+0,050</sup> <sub>+0,025</sub> $\mu m$		38,035
n x H on PCD J	12 Ø9 on PCD 233	<i>Cr</i>	12 Ø9 on PCD 233	g1	0,022	<i>Di</i>	0,005	D	8	<i>Cr</i>	8,02
A	288	$\mu m$	288,91	No-load input torque				Ø S1	215	<i>Cr</i>	215
L	94	$\mu m$	93,91	Line 1			0,8 Nm	Ø Y1	M12	<i>Pg</i>	M12

			Noise level	
			@1600 rpm input (dB(A))	
	Line	Stiffness		64,5
Torsional stiffness (Nm/arcmin)	1	243,75		
Radial stiffness (N/ $\mu m$ )	1	567		

Date: **29/08/2022**

Visa: **C DE MIRANDA**

Version: **A**

Product images are for illustrative purposes only.