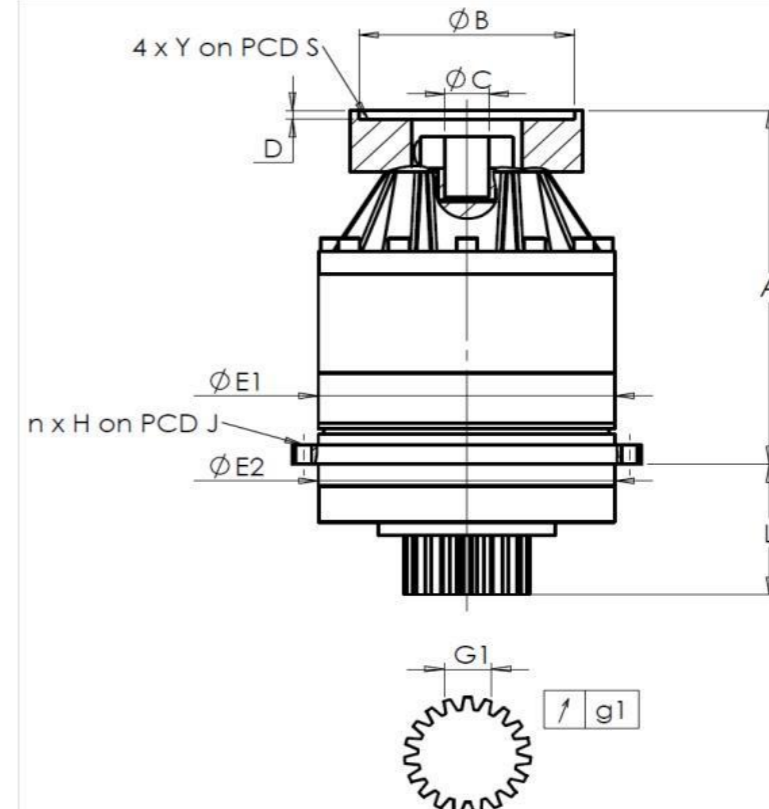


CUSTOMER: **FPT** CUSTOMER ORDER REF: **785 FPT**
 DISTRIBUTOR: **ANDANTEX S.r.l** REDEX ORDER REF: **216508**
 DESIGNATION: **KRP2.M1.21.3.H.28/38** SERIAL NUMBER: **906572**
 CODE: **RX133901-11** MOTOR FLANGE CODE: **RX133903-01**

EXTERNAL DIMENSIONS & INTERFACES: SN: **906572**



General tolerance: Js13 *Cmm* Automatic / manual coordinate-measuring machine μm Micrometer *Cr* Calliper rule *Di* Dial indicator *Pg* Plug gauge

For the installation, please refer to User Manual KRP (182/008)

SPECIFIC REMARKS:

HOUSING				OUTPUT PINION				MOTOR FLANGE			
requirement		measure		requirement		measure		requirement		measure	
E6458				F651							
E1	212h7 ⁰ _{-0,046}	μm	211,98	Span dimension over 4 teeth				Ø B	180H6 ^{+0,025} ₀	μm	180,02
E2	200h7 ⁰ _{-0,046}	μm	199,99	G1	44,27 ⁰ _{-0,03}	<i>Cmm</i>	44,255	Ø C	38F7 ^{+0,050} _{+0,025}	μm	38,03
n x H on PCD J	12 Ø9 on PCD 233	<i>Cr</i>	12 Ø9 on PCD 233	g1	0,022	<i>Di</i>	0,01	D	8	<i>Cr</i>	8,03
A	288	μm	288	No-load input torque				Ø S1	215	<i>Cr</i>	215
L	94	μm	94	Line 1	0,7 Nm			Ø Y1	M12	<i>Pg</i>	M12

		Line	Stiffness	Noise level	
				@1600 rpm input (dB(A))	65,0
Torsional stiffness (Nm/arcmin)	1	243,75			
Radial stiffness (N/ μm)	1	605			

Date: **29/08/2022**

Visa: **C DE MIRANDA**

Version: **A**

Product images are for illustrative purposes only.