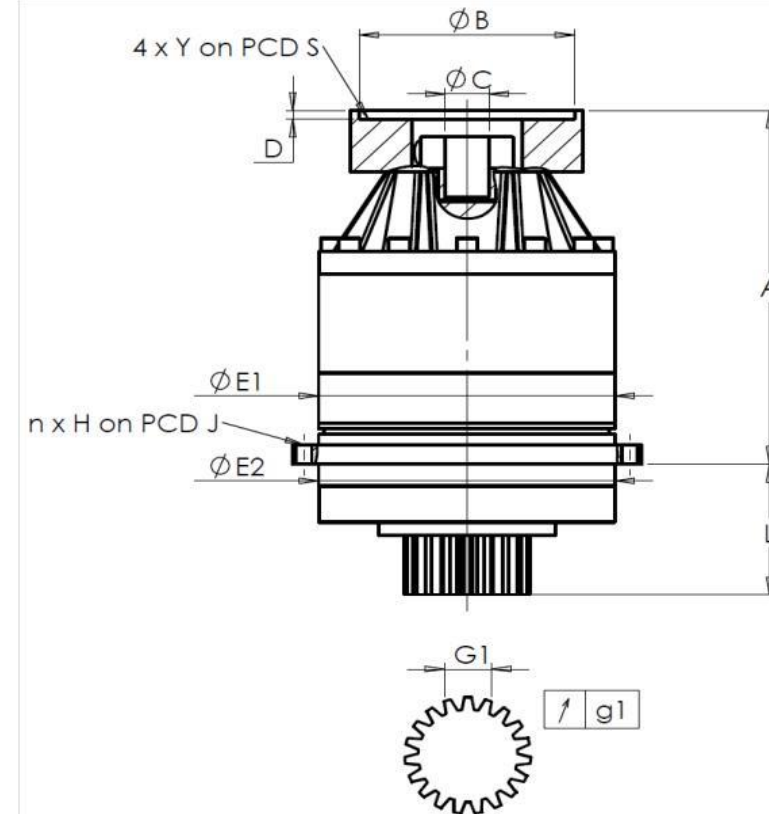


CUSTOMER: **FPT** CUSTOMER ORDER REF: **785 FPT**
 DISTRIBUTOR: **ANDANTEX S.r.l** REDEX ORDER REF: **216508**
 DESIGNATION: **KRP2.M1.21.3.H.28/38** SERIAL NUMBER: **906571**
 CODE: **RX133901-11** MOTOR FLANGE CODE: **RX133903-01**

EXTERNAL DIMENSIONS & INTERFACES: SN: **906571**



General tolerance: Js13 *Cmm* Automatic / manual coordinate-measuring machine μm Micrometer *Cr* Calliper rule *Di* Dial indicator *Pg* Plug gauge

For the installation, please refer to User Manual KRP (182/008)

SPECIFIC REMARKS:

HOUSING				OUTPUT PINION				MOTOR FLANGE			
requirement		measure		requirement		measure		requirement		measure	
		E4406				F655					
E1	212h7 ⁰ _{-0,046} μm	212	Span dimension over 4 teeth				Ø B	180H6 ^{+0,025} ₀ μm	180,01		
E2	200h7 ⁰ _{-0,046} μm	199,99	G1	44,27 ⁰ _{-0,03} <i>Cmm</i>	44,255	Ø C	38F7 ^{+0,050} _{+0,025} μm	38,03			
n x H on PCD J	12 Ø9 on PCD 233	<i>Cr</i> 12 Ø9 on PCD 233	g1	0,022	<i>Di</i> 0,01	Ø D	8	<i>Cr</i> 8,04			
A	288	μm 288	No-load input torque				Ø S1	215	<i>Cr</i> 215		
L	94	μm 94	Line 1		0,7 Nm		Ø Y1	M12	<i>Pg</i> M12		

Noise level		
	Line	Stiffness
Torsional stiffness (Nm/arcmin)	1	243,75
Radial stiffness (N/ μm)	1	633

@1600 rpm input (dB(A)) **64,0**

Date: **29/08/2022**

Visa: **C DE MIRANDA**

Version: **A**

Product images are for illustrative purposes only.